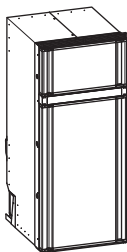


# ↗ DOMETIC

# REFRIGERATION

# 10-SERIES

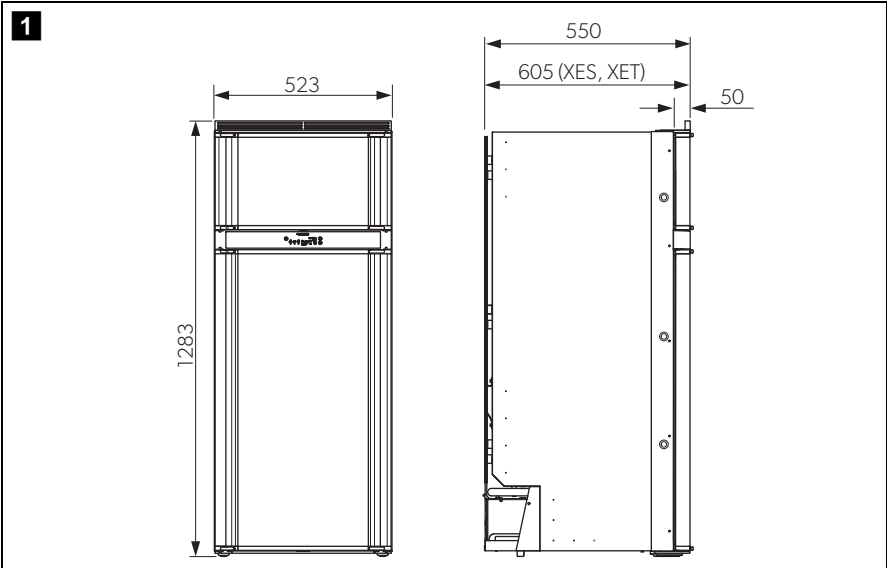
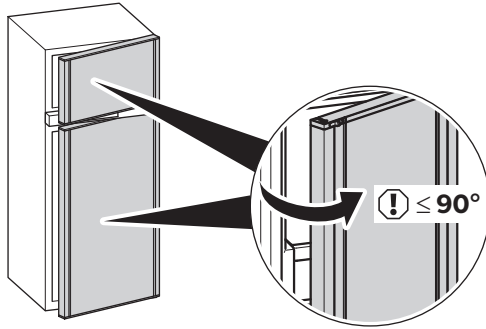


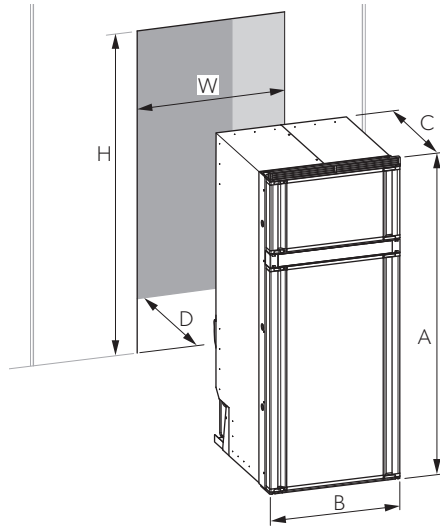
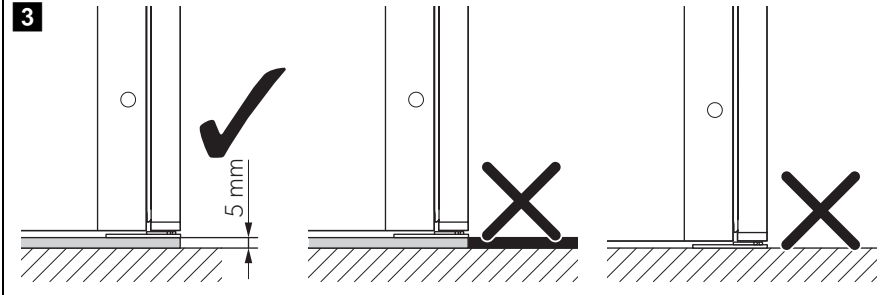
RCD10.5ES, RCD10.5XES, RCD10.5ET, RCD10.5XET

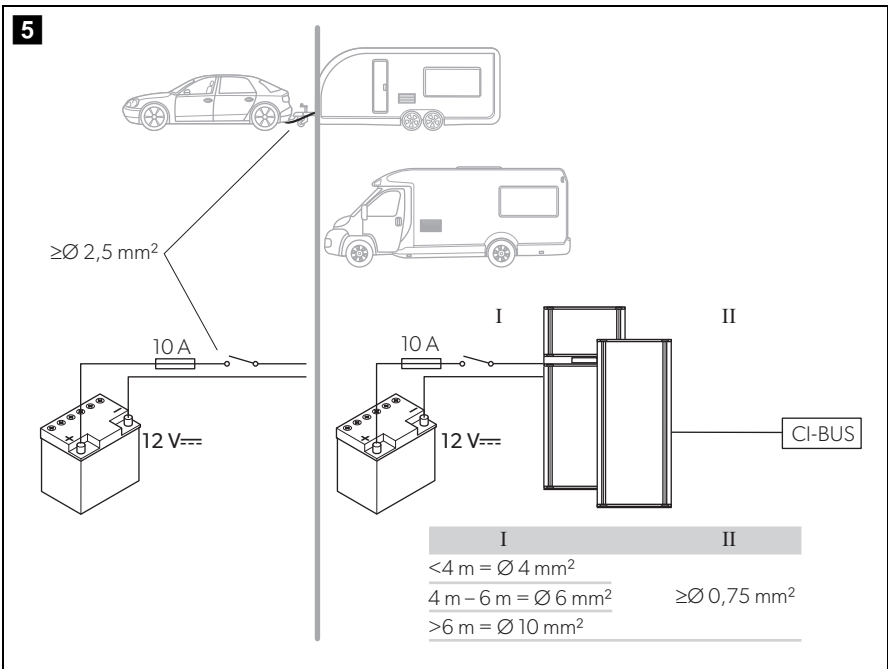
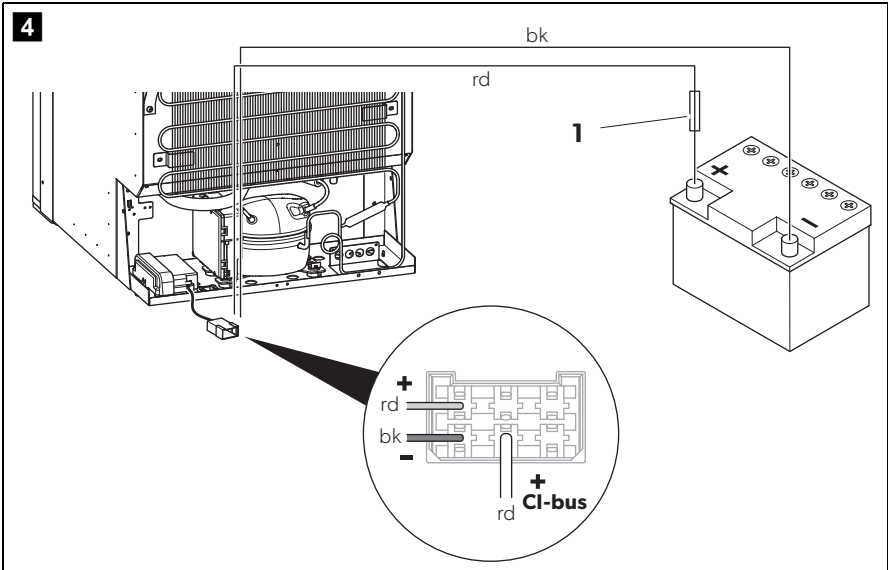
<b>EN</b>	<b>Compressor refrigerator</b> Installation Manual . . . . .	<b>FI</b>	<b>Kompressorijääkaappi</b> Asennusohje . . . . .
<b>DE</b>	<b>Kompressor-Kühlschrank</b> Montageanleitung . . . . .	<b>RU</b>	<b>Компрессорный холодильник</b> Инструкция по монтажу . . . . .
<b>FR</b>	<b>Réfrigérateur à compresseur</b> Instructions de montage . . . . .	<b>PL</b>	<b>Lodówka sprężarkowa</b> Instrukcja montażu . . . . .
<b>ES</b>	<b>Nevera de compresor</b> Instrucciones de montaje . . . . .	<b>SK</b>	<b>Kompresorová chladnička</b> Návod na montáž . . . . .
<b>PT</b>	<b>Frigorífico com compressor</b> Instruções de montagem . . . . .	<b>CS</b>	<b>Kompresorová chladnička</b> Návod k montáži . . . . .
<b>IT</b>	<b>Frigorifero a compressore</b> Indicazioni di montaggio . . . . .	<b>HU</b>	<b>Kompresszoros hűtőszekrény</b> Szerelési útmutató . . . . .
<b>NL</b>	<b>Compressorkoelkast</b> Montagehandleiding . . . . .	<b>SL</b>	<b>Kompresorski hladilnik</b> Navodilo za montažo . . . . .
<b>DA</b>	<b>Kompressorkøleskab</b> Monteringsvejledning . . . . .	<b>EL</b>	<b>Συμπιεστής ψυγείου</b> Οδηγίες τοποθέτησης . . . . .
<b>SV</b>	<b>Kylskåp med kompressor</b> Monteringsanvisning . . . . .		
<b>NO</b>	<b>Kompressorkjøleskap</b> Monteringsanvisning . . . . .		

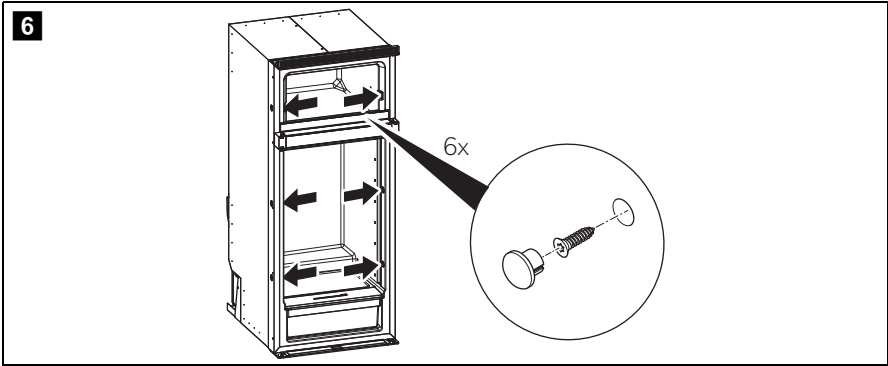
© 2023 Dometic Group. The visual appearance of the contents of this manual is protected by copyright and design law. The underlying technical design and the products contained herein may be protected by design, patent or be patent pending. The trademarks mentioned in this manual belong to Dometic Sweden AB. All rights are reserved.

**NOTICE**



**2****3**





Please read these instructions carefully and follow all instructions, guidelines, and warnings included in this product manual in order to ensure that you install, use, and maintain the product properly at all times. These instructions **MUST** stay with this product.

By using the product, you hereby confirm that you have read all instructions, guidelines, and warnings carefully and that you understand and agree to abide by the terms and conditions as set forth herein. You agree to use this product only for the intended purpose and application and in accordance with the instructions, guidelines, and warnings as set forth in this product manual as well as in accordance with all applicable laws and regulations. A failure to read and follow the instructions and warnings set forth herein may result in an injury to yourself and others, damage to your product or damage to other property in the vicinity. This product manual, including the instructions, guidelines, and warnings, and related documentation, may be subject to changes and updates. For up-to-date product information, please visit [dometic.com](http://dometic.com).

# Contents

- 1 Explanation of symbols . . . . . 7
- 2 Safety instructions . . . . . 8
- 3 Intended use . . . . . 10
- 4 Installing the refrigerator . . . . . 11
- 5 Disposal . . . . . 14
- 6 Technical data . . . . . 14

## 1 Explanation of symbols



### **WARNING!**

**Safety instruction:** Indicates a hazardous situation that, if not avoided, could result in death or serious injury.



### **CAUTION!**

**Safety instruction:** Indicates a hazardous situation that, if not avoided, could result in minor or moderate injury.



### **NOTICE!**

Indicates a situation that, if not avoided, can result in property damage.



### **NOTE**

Supplementary information for operating the product.

## 2 Safety instructions

### 2.1 General safety



**WARNING! Failure to obey these warnings could result in death or serious injury.**

#### **Electrocution hazard**

- Installation and removal of the refrigerator may only be carried out by qualified personnel.
- Do not operate the refrigerator if it is visibly damaged.
- This refrigerator may only be repaired by qualified personnel. Improper repairs can result in considerable danger or damage to the refrigerator.
- If the power cable for this refrigerator is damaged, it must be replaced by the manufacturer, customer service or a similarly qualified person in order to prevent safety hazards.
- When positioning the refrigerator, ensure the supply cord is not trapped or damaged.
- Plug the device to sockets that ensure proper connection especially when the device needs to be grounded.

#### **Fire hazard**

- The refrigerant in the refrigerant circuit is highly flammable and in the event of a leakage combustible gases could build up if the appliance is in a small room.  
In the event of any damage to the refrigerant circuit:
  - Keep naked flames and potential ignition sources away from the refrigerator.
  - Ventilate the room well.
  - Switch off the refrigerator.

For refrigerators with R600a refrigerant:

- The refrigeration circuit contains a small quantity of an environmentally friendly but flammable refrigerant. It does not damage the ozone layer and does not increase the greenhouse effect. Any leaking refrigerant may ignite.
- Do not use or store the refrigerator in confined spaces with none or minimal air flow.



- Keep the installation recess for the refrigerator free of any electrical components and luminaires which during normal or abnormal operation produce sparks or arcs (i.e. relays or fuse boxes).

### **Explosion hazard**

- Do not spray aerosols in the vicinity of this refrigerator while it is in operation.
- Do not store any explosive substances, such as aerosol cans with propellants, in the refrigerator.

### **Health hazard**

- This refrigerator can be used by children aged from 8 years and above and persons with reduced physical, sensory or mental capabilities or lack of experience and knowledge if they have been given supervision or instruction concerning use of the refrigerator in a safe way and understand the hazards involved.
- Children aged from 3 to 8 years are allowed to load and unload the refrigerator.
- Cleaning and user maintenance shall not be made by children without supervision.
- Children must be supervised to ensure that they do not play with the refrigerator.

### **Risk of child entrapment**

- Ensure that the shelves are mounted and secured so that children cannot lock themselves in the refrigerator.
- Before disposing of your old refrigerator:
  - Dismantle the drawers.
  - Leave the shelves in the refrigerator so that children cannot climb inside.
  - Take off the doors.



**CAUTION! Failure to obey these cautions could result in minor or moderate injury.**

### **Health hazard**

- To avoid a hazard due to instability of the refrigerator, it must be fixed in accordance with the installation instructions.
- Keep ventilation openings, on the refrigerator and in its enclosure or in the built-in structure, clear of obstruction.
- Do not use mechanical devices or other means to accelerate the defrosting process, other than those recommended by the manufacturer.

- Do not open or damage the refrigerant circuit under any circumstances.
- Do not use electrical devices inside the refrigerator unless they are recommended by the manufacturer for that purpose.

### **Risk of injury**

- Do not use or store flammable materials in or near this refrigerator.
- Do not place articles on or against this refrigerator.
- Do not modify this refrigerator.



### **NOTICE! Damage hazard**

- Check that the voltage specification on the data plate is the same as that of the power supply.
- Do not place the refrigerator near heat sources (heaters, direct sunlight, gas ovens, etc.).
- Keep the condensate drain clean at all times.
- Do not use a high-pressure cleaner near the ventilation grille when cleaning the vehicle.
- The refrigerator may not be exposed to rain.

## **3 Intended use**

The refrigerator is suitable for:

- Installation in caravans and motor homes
- Cooling, deep-freezing and storing food

The refrigerator is not suitable for:

- Storing medications
- Storing corrosive substances or substances that contain solvents
- Quick-freezing food

The refrigerator is intended for installation in a piece of cabinetry or an installation niche.

This refrigerator is not intended to be used in household applications.

The frozen compartment is suitable for storing pre-frozen food, storing or making ice cream and making ice cubes. It is not suitable for freezing previously unfrozen food.

## 4 Installing the refrigerator



### CAUTION! Health hazard

To avoid a hazard due to instability of the device, it must be fixed in accordance with the instructions.



### CAUTION! Risk of injury

The device has sharp edges. Wear gloves during installation.



### NOTE

If the compressor refrigerator replaces an absorption refrigerator, you have to make sure, that the external ventilation grilles are completely closed, otherwise there is the risk, that the compressor will not run at low ambient temperature (~below 0 °C).



You find the instructions for changing the decorative plate and the door hinge online at:

[documents.dometic.com/?object\\_id=81907](https://documents.dometic.com/?object_id=81907)

### 4.1 Choosing an installation location



### NOTICE! Damage hazard

- The refrigerator may not be installed in the rear of mobile homes with the door pointing in the direction of travel.
- Leave the device in a vertical position for at least 3 hours before starting up for the first time.

When installing the refrigerator, note the following:

- Ensure that the floor is solid and level.  
Park the vehicle horizontally for this purpose.
- The refrigerator must be installed so that:
  - is easily accessible for service work
  - is easy to uninstall and install
  - can be easily removed from the vehicle
- In campervans an undercounter unit can be installed with the door pointing in the direction of travel, as long as it is installed next to the sliding door and behind the co-driver's seat.

- The refrigerator must be installed in a recess so that it stands secure when the vehicle is in motion. Note the dimensions in fig. **1**, page 3 and fig. **3**, page 4 for this purpose.

Note the following recess dimension (fig. **2**, page 4):

	RCD 10.ES, RCD 10.5ET	RCD 10.XES, RCD 10.5XET
Refrigerator height ( <b>A</b> )	1283 mm	1283 mm
Refrigerator width ( <b>B</b> )	523 mm	523 mm
Refrigerator depth ( <b>C</b> ) (excludes control knob 5 mm)	550 mm	605 mm
Recess height ( <b>H</b> )	1290 mm	1290 mm
Recess width ( <b>W</b> )	528 mm	528 mm
Recess depth ( <b>D</b> )	568 mm	623 mm

- The refrigerator must be installed with a minimum distance of 5 mm from the floor to ensure that the door can be opened properly (fig. **3**, page 4).
  - Make sure that no carpets interfere with the free movement of the door.
  - Avoid placing the refrigerator directly on the floor.

## 4.2 Installing the condensate drain

Condensation can form inside the refrigerator due to frequent door opening, incorrectly stored food or food that is stored when it is too warm. Condensation must be drained with a constant slope.

Install the condensate drain as follows:

- ▶ Run the condensation water hose from the refrigerator through an opening in the floor which goes outside.

## 4.3 Connecting the power supply



The electrical power supply must be connected by a qualified electrician who has demonstrated skill and knowledge related to the construction and operation of electrical equipment and installations, and who is familiar with the applicable regulations of the country in which the equipment is to be installed and/or used, and has received safety training to identify and avoid the hazards involved.



### NOTICE! Damage hazard

- To avoid voltage loss and therefore a drop in performance, the cable should be kept as short as possible and should not be interrupted if possible. For this reason avoid additional switches, plugs or power strips.
- Before connecting check whether the operating voltage and the battery voltage correspond (see data plate).
- Ensure that the polarity is correct when connecting the 12 V $\equiv$  power supply.

1. Determine the required cross section of the cable in relation to the cable length according to fig. **4**, page 5.
2. Connect the cables to the AMP connector of the refrigerator (fig. **5**, page 5).
3. Connect the other ends of the cables to the 12 V $\equiv$  power supply:
  - rd (red): with a fuse protection (10 A) fitted to the positive (+) pole
  - bk (black): to the negative (-) pole

## 4.4 Securing the refrigerator



### NOTICE! Damage hazard

Only screw through the bushings provided, otherwise foamed components, such as cables, can be damaged.



### NOTE

- Attach the side walls or the attached strips so that the screws are tight, even under increased loads (while driving).
- The refrigerator is designed to provide a regulated air flow. It is not recommend to leave additional space between the refrigerator and the recess walls.

1. Move the refrigerator into its final location with the front flange sitting tight against the recess front.
2. Fasten the screws (fig. **6**, page 6) through the plastic bushings in the sides of the refrigerator, and further into the wall.
3. Put the caps onto the screw heads.

## 5 Disposal



### NOTICE!

The insulation of the cooling device contains flammable cyclopentane and requires special disposal procedures. Deliver the cooling device at the end of its life-cycle to an appropriate recycling center.



- ▶ Place the packaging material in the appropriate recycling waste bins whenever possible.
- ▶ Consult a local recycling center or specialist dealer for details about how to dispose of the product in accordance with the applicable disposal regulations.

### Recycling products with batteries, rechargeable batteries and light sources




- ▶ Remove any batteries, rechargeable batteries, and light sources before recycling the product.
- ▶ Return defective or used batteries to your retailer or dispose of them at collection points.
- ▶ Do not dispose of any batteries, rechargeable batteries, and light sources with general household waste.
- ▶ If you wish to finally dispose of the product, ask your local recycling center or specialist dealer for details about how to do this in accordance with the applicable disposal regulations.
- ▶ The product can be disposed free of charge.

## 6 Technical data

For the current EU declaration of conformity for your device please refer to the respective product page on [dometic.com](http://dometic.com) or contact the manufacturer directly (see [dometic.com/dealer](http://dometic.com/dealer)).

This device complies with UN ECE R10.

	<b>RCD 10.5ES, RCD 10.5ET</b>	<b>RCD 10.5XES, RCD 10.5XET</b>
Capacity		
Total capacity	176 l	200 l
Refrigerator compartment	140 l	159 l
Frozen compartment	35.7 l	40.6 l
Connection voltage	12 V $\overline{=}$	12 V $\overline{=}$
Average power input	75 W	75 W
Energy consumption	0.698 kWh/24 h	0.754 kWh/24 h
PERFORMANCE mode	58.1 Ah/24 h	62.6 Ah/24 h
Climate class	N, ST	N, ST
Refrigerant	R600a	R600a
Refrigerant quantity	34 g	34 g
CO2 equivalent	0.000102 t	0.000102 t
Global warming potential (GWP)	3	3
Noise emission	39 dB(A)	39 dB(A)
Dimensions H x W x D (in mm)	1283 x 523 x 550	1283 x 523 x 605
Weight	38 kg	39.5 kg
Inspection/certification		

Lesen und befolgen Sie bitte alle Anweisungen, Richtlinien und Warnhinweise in diesem Produkthandbuch sorgfältig, um sicherzustellen, dass Sie das Produkt ordnungsgemäß installieren und stets ordnungsgemäß betreiben und warten. Diese Anleitung MUSS bei dem Produkt verbleiben.

Durch die Verwendung des Produktes bestätigen Sie hiermit, dass Sie alle Anweisungen, Richtlinien und Warnhinweise sorgfältig gelesen haben und dass Sie die hierin dargelegten Bestimmungen verstanden haben und ihnen zustimmen. Sie erklären sich damit einverstanden, dieses Produkt nur für den angegebenen Verwendungszweck und gemäß den Anweisungen, Richtlinien und Warnhinweisen dieses Produkthandbuchs sowie gemäß allen geltenden Gesetzen und Vorschriften zu verwenden. Eine Nichtbeachtung der hierin enthaltenen Anweisungen und Warnhinweise kann zu einer Verletzung Ihrer selbst und anderer Personen, zu Schäden an Ihrem Produkt oder zu Schäden an anderem Eigentum in der Umgebung führen. Dieses Produkthandbuch, einschließlich der Anweisungen, Richtlinien und Warnhinweise, sowie die zugehörige Dokumentation können Änderungen und Aktualisierungen unterliegen. Aktuelle Produktinformationen finden Sie unter [documents.dometic.com](http://documents.dometic.com).

## Inhaltsverzeichnis

1	Erläuterung der Symbole . . . . .	16
2	Sicherheitshinweise . . . . .	17
3	Bestimmungsgemäßer Gebrauch . . . . .	19
4	Kühlschrank einbauen . . . . .	20
5	Entsorgung . . . . .	23
6	Technische Daten . . . . .	23

## 1 Erläuterung der Symbole



### WARNUNG!

**Sicherheitshinweis:** Kennzeichnet eine Gefahrensituation, die zum Tod oder schwerer Verletzung führen könnte, wenn die jeweiligen Anweisungen nicht befolgt werden.



### VORSICHT!

**Sicherheitshinweis:** Kennzeichnet eine Gefahrensituation, die zu geringer oder mittelschwerer Verletzung führen könnte, wenn die jeweiligen Anweisungen nicht befolgt werden.



### ACHTUNG!

Kennzeichnet eine Situation, die zu Sachschäden führen kann, wenn die jeweiligen Anweisungen nicht befolgt werden.



### HINWEIS

Ergänzende Informationen zur Bedienung des Produktes.



## 2 Sicherheitshinweise

### 2.1 Grundlegende Sicherheit



**WARNUNG! Nichtbeachtung dieser Warnungen kann zum Tod oder schwerer Verletzung führen.**

#### **Gefahr durch Stromschlag**

- Montage und Demontage des Kühlschranks dürfen nur durch qualifiziertes Fachpersonal erfolgen.
- Wenn der Kühlschrank sichtbare Beschädigungen aufweist, dürfen Sie ihn nicht in Betrieb nehmen.
- Reparaturen an diesem Kühlschrank dürfen nur von Fachkräften durchgeführt werden. Durch unsachgemäße Reparaturen können erhebliche Gefahren bzw. Schäden am Kühlschrank entstehen.
- Wenn das Anschlusskabel dieses Kühlschranks beschädigt wird, muss es durch den Hersteller, seinen Kundendienst oder eine ähnlich qualifizierte Person ersetzt werden, um Gefährdungen zu vermeiden.
- Achten Sie beim Aufstellen des Kühlschranks darauf, dass das Stromversorgungskabel nicht eingeklemmt oder beschädigt wird.
- Schließen Sie das Gerät an eine Steckdose an, die einen geeigneten Anschluss sicherstellt, insbesondere wenn das Gerät geerdet werden muss.

#### **Brandgefahr**

- Das Kältemittel im Kühlkreislauf ist leicht entflammbar. Wenn sich das Gerät in einem kleinen Raum befindet, können sich im Fall eines Lecks brennbare Gase ansammeln.  
Bei einer Beschädigung des Kühlkreislaufs:
  - Halten Sie offene Flammen und potentielle Zündquellen vom Kühlschrank fern.
  - Lüften Sie den Raum gut.
  - Schalten Sie den Kühlschrank aus.

Bei Kühlschränken mit dem Kältemittel R600a:

- Der Kühlkreislauf enthält eine kleine Menge an umweltfreundlichem, aber brennbarem Kühlmittel. Das Kühlmittel schädigt nicht die Ozonschicht und trägt auch nicht zum Treibhauseffekt bei. Austretendes Kühlmittel kann sich entzünden.
- Verwenden und Lagern Sie das Kältemittel nicht in geschlossenen Räumen ohne oder mit nur geringer Belüftung.

- Halten Sie die Einbaunische für den Kühlschrank frei von elektrischen Bauteilen und Beleuchtungskörpern, die bei normalem oder abnormalem Gebrauch Funken oder Lichtbögen erzeugen können (d. h. Relais oder Sicherungskästen).

### **Explosionsgefahr**

- Versprühen Sie während des Betriebs keine Aerosole in der Nähe des Kühlschranks.
- Lagern Sie keine explosionsfähigen Stoffe wie z. B. Sprühdosen mit brennbarem Treibgas im Kühlschrank.

### **Gesundheitsgefahr**

- Dieser Kühlschrank kann von Kindern ab 8 Jahren und von Personen mit verringerten physischen, sensorischen oder mentalen Fähigkeiten oder Mangel an Erfahrung und/oder Wissen verwendet werden, wenn diese Personen beaufsichtigt werden oder im sicheren Gebrauch des Kühlschranks unterwiesen wurden und die daraus resultierenden Gefahren verstanden haben.
- Kinder von 3 bis 8 Jahren dürfen den Kühlschrank be- und entladen.
- Reinigung und Pflege dürfen nicht von Kindern ohne Beaufsichtigung durchgeführt werden.
- Kinder sollten beaufsichtigt werden, um sicherzustellen, dass sie nicht mit dem Kühlschrank spielen.

### **Gefahr des Einschließens von Kindern**

- Stellen Sie sicher, dass die Einlegeböden so montiert und gesichert sind, dass sich Kinder nicht selbst im Kühlschrank einschließen können.
- Vor der Entsorgung Ihres alten Kühlschranks:
  - Bauen Sie die Schublade aus.
  - Belassen Sie die Ablagen im Kühlschrank, damit Kinder nicht hineinsteigen können.
  - Hängen Sie die Türen aus.



**VORSICHT! Nichtbeachtung dieser Hinweise kann zu leichten bis mittelschweren Verletzungen führen.**

### **Gesundheitsgefahr**

- Um Gefahren aufgrund eines instabilen Stands des Kühlschranks zu vermeiden, muss er entsprechend den Anweisungen fixiert werden.
- Halten Sie die Lüftungsöffnungen frei – sowohl am Kühlschrank und seinem Gehäuse als auch in der Einbaukonsole des Kühlschranks.

- Verwenden Sie keine mechanischen oder anderen Mittel, um das Abtauen zu beschleunigen – es sei denn, diese werden vom Hersteller empfohlen.
- Öffnen oder beschädigen Sie auf keinen Fall den Kühlkreislauf.
- Benutzen Sie keine Elektrogeräte innerhalb des Kühlschranks, außer wenn diese Elektrogeräte vom Hersteller dafür empfohlen werden.

### **Verletzungsgefahr**

- Verwenden und lagern Sie keine brennbaren Materialien im Kühlschrank oder in der Nähe des Kühlschranks.
- Stellen Sie keine Gegenstände auf den Kühlschrank und lehnen Sie keine Gegenstände an den Kühlschrank an.
- Nehmen Sie keine Änderungen am Kühlschrank vor.



### **ACHTUNG! Beschädigungsgefahr**

- Prüfen Sie, ob die Spannungsangabe auf dem Typenschild mit der vorhandenen Netzspannung übereinstimmt.
- Stellen Sie den Kühlschrank nicht in der Nähe von Wärmequellen (Heizungen, direkte Sonneneinstrahlung, Gasöfen usw.) auf.
- Halten Sie den Kondensatablauf stets sauber.
- Benutzen Sie bei der Fahrzeugreinigung im Bereich der Lüftungsgitter keinen Wasser-Hochdruckreiniger.
- Der Kühlschrank darf keinem Regen ausgesetzt werden.

## **3 Bestimmungsgemäßer Gebrauch**

Der Kühlschrank ist für folgende Verwendungszwecke geeignet:

- Einbau in Wohnwagen und Wohnmobile
- Kühlung, Tiefkühlung und Lagerung von Lebensmitteln

Der Kühlschrank ist nicht für folgende Verwendungszwecke geeignet:

- Lagerung von Medikamenten
- Lagerung von ätzenden oder lösungsmittelhaltigen Stoffen
- Einfrieren von Lebensmitteln

Der Kühlschrank ist für den Einbau in einen Schrank oder eine Einbaunische vorgesehen.

Dieser Kühlschrank ist nicht für den Einsatz im Haushalt geeignet.

Das Tiefkühlfach eignet sich für die Aufbewahrung von tiefgefrorenen Lebensmitteln, die Lagerung oder Herstellung von Eiscreme und die Herstellung von Eiswürfeln. Es ist nicht geeignet zum Einfrieren von Lebensmitteln.

## 4 Kühlschrank einbauen



### **VORSICHT! Gesundheitsgefahr**

Um Gefahren aufgrund eines instabilen Stands des Geräts zu vermeiden, muss das Gerät entsprechend den Anweisungen fixiert werden.



### **VORSICHT! Verletzungsgefahr**

Das Gerät hat scharfe Kanten. Tragen Sie beim Einbau Handschuhe.



### **HINWEIS**

Wenn der Kompressorkühlschrank eine Absorptionseinheit ersetzt, müssen Sie sicherstellen, dass die externen Lüftungsgitter vollständig geschlossen sind, da sonst die Gefahr besteht, dass der Kompressor bei niedriger Umgebungstemperatur (~unter 0 °C) nicht läuft.



Die Anleitung zum Wechseln der Dekorplatte und des Türanschlags finden Sie online unter:

[documents.dometic.com/?object\\_id=81907](https://documents.dometic.com/?object_id=81907)

### 4.1 Montageort festlegen



### **ACHTUNG! Beschädigungsgefahr**

- Der Kühlschrank darf nicht im Heck von Wohnmobilen installiert werden, wenn die Tür in Fahrtrichtung zeigt.
- Lassen Sie das Gerät vor der ersten Inbetriebnahme mindestens 3 Stunden lang in vertikaler Position stehen.

Beachten Sie bei der Montage des Kühlschranks folgende Hinweise:

- Vergewissern Sie sich, dass der Boden fest und eben ist. Stellen Sie das Fahrzeug zu diesem Zweck waagrecht ab.
- Der Kühlschrank muss so installiert werden, dass:
  - er für Wartungsarbeiten leicht zugänglich ist
  - er leicht zu deinstallieren und zu installieren ist
  - er leicht aus dem Fahrzeug entfernt werden kann

- In Wohnmobilen kann eine Unterthekeneinheit mit der Tür in Fahrtrichtung installiert werden, sofern sie neben der Schiebetür und hinter dem Beifahrersitz angebracht ist.
- Der Kühlschrank muss in eine Nische eingebaut werden, damit er bei Bewegung des Fahrzeugs fest steht. Beachten Sie die Abmessungen in Abb. **1**, Seite 3 und Abb. **3**, Seite 4 zu diesem Zweck.

Beachten Sie folgende Ausparungsmaße (Abb. **2**, Seite 4):

	<b>RCD10.ES, RCD 10.5ET</b>	<b>RCD10.XES, RCD 10.5XET</b>
Höhe des Kühlschranks ( <b>A</b> )	1283 mm	1283 mm
Breite des Kühlschranks ( <b>B</b> )	523 mm	523 mm
Tiefe des Kühlschranks ( <b>C</b> ) (ohne Steuerknopf (5 mm))	550 mm	605 mm
Höhe der Aussparung ( <b>H</b> )	1290 mm	1290 mm
Breite der Aussparung ( <b>W</b> )	528 mm	528 mm
Aussparungstiefe ( <b>D</b> )	568 mm	623 mm

- Der Kühlschrank muss in einem Abstand von mindestens 5 mm über dem Boden installiert werden, damit sich die Tür richtig öffnen lässt (Abb. **3**, Seite 4).
  - Stellen Sie sicher, dass kein Teppich die Bewegungsfreiheit der Tür einschränkt.
  - Stellen Sie den Kühlschrank nicht direkt auf den Boden.

## 4.2 Kondensatablauf installieren

Durch häufiges Türöffnen, falsch gelagerte Lebensmittel oder zu warm gelagerte Lebensmittel kann sich im Inneren des Kühlschranks Kondensat bilden. Das Kondensat muss mit konstantem Gefälle abgelassen werden.

Installieren Sie den Kondensatablauf wie folgt:

- Führen Sie den Kondenswasserschlauch des Kühlschranks durch eine Öffnung im Boden, die nach außen führt.

### 4.3 Stromversorgung anschließen



Der Anschluss an die Stromversorgung muss von einer Fachkraft ausgeführt werden, die nachweislich über Fähigkeiten und Kenntnisse in Bezug auf den Aufbau und den Betrieb von Elektrogeräten und -anlagen verfügt und ein Sicherheitstraining zum Erkennen und Vermeiden der diesbezüglichen Gefahren absolviert hat.



#### **ACHTUNG! Beschädigungsgefahr**

- Um Spannungs- und Leistungsverluste zu vermeiden, muss das Kabel möglichst kurz und möglichst nicht unterbrochen sein. Vermeiden Sie daher zusätzliche Schalter, Stecker oder Verteilerdosen.
- Prüfen Sie vor dem Anschließen, ob die Betriebsspannung und die Batteriespannung übereinstimmen (siehe Typenschild).
- Beachten Sie beim Anschluss der 12-V $\equiv$ -Stromversorgung die korrekte Polarität.

1. Bestimmen Sie den notwendigen Querschnitt des Kabels in Abhängigkeit von der Kabellänge gemäß Abb. **4**, Seite 5.
2. Schließen Sie die Kabel an den AMP-Anschluss des Kühlschranks (Abb. **5**, Seite 5) an.
3. Schließen Sie die anderen Enden der Kabel an die 12-V $\equiv$ -Stromversorgung an:
  - rd (rot): mit einer Sicherung (10 A) am Pluspol (+)
  - bk (schwarz): zum Minuspol (-)

### 4.4 Kühlschrank befestigen



#### **ACHTUNG! Beschädigungsgefahr**

Schrauben Sie nur durch die dafür vorgesehenen Buchsen, da ansonsten eingeschäumte Bauteile wie Leitungen beschädigt werden können.



#### **HINWEIS**

- Befestigen Sie die Seitenwände oder die angebrachten Leisten so, dass die Schrauben auch bei erhöhter Beanspruchung (während der Fahrt) fest sitzen.
- Der Kühlschrank ist so konzipiert, dass er eine geregelte Luftzirkulation bereitstellt. Es wird empfohlen, keinen zusätzlichen Zwischenraum zwischen dem Kühlschrank und den Wänden in der Aussparung zu belassen.

1. Bringen Sie den Kühlschrank in seine endgültige Position, wobei der vordere Flansch fest an der Vorderseite der Aussparung anliegt.
2. Drehen Sie die Schrauben (Abb. **6**, Seite 6) durch die Kunststoffbuchsen an den Seiten des Kühlschranks und weiter in die Nischenwand.
3. Setzen Sie die Abdeckkappen auf die Schraubenköpfe.

## 5 Entsorgung



### ACHTUNG!

Die Isolierung des Kühlgeräts enthält brennbares Cyclopentan und erfordert ein besonderes Entsorgungsverfahren. Entsorgen Sie das Kühlgerät am Ende seiner Nutzungsdauer in einem entsprechenden Recyclingcenter.



- Geben Sie das Verpackungsmaterial möglichst in den entsprechenden Recycling-Müll.
- Wenden Sie sich an ein örtliches Recyclingzentrum oder einen Fachhändler, um zu erfahren, wie Sie das Produkt gemäß den geltenden Entsorgungsvorschriften entsorgen können.

### Recycling von Produkten mit Batterien, wiederaufladbaren Batterien und Leuchtmitteln




- Entfernen Sie Batterien, wiederaufladbare Batterien und Leuchtmittel, bevor Sie das Produkt recyceln.
- Geben Sie bitte Ihre defekten Akkus oder verbrauchten Batterien beim Händler oder bei einer Sammelstelle ab.
- Batterien, wiederaufladbare Batterien und Leuchtmittel gehören nicht in den Hausmüll.
- Wenn Sie das Gerät endgültig entsorgen möchten, informieren Sie sich bitte bei Ihrem Wertstoffhof vor Ort oder bei Ihrem Fachhändler, wie dies gemäß den geltenden Entsorgungsvorschriften zu tun ist.
- Das Produkt kann kostenlos entsorgt werden.

## 6 Technische Daten

Die aktuelle EU-Konformitätserklärung für Ihr Gerät erhalten Sie auf der jeweiligen Produktseite auf [dometic.com](http://dometic.com) oder direkt über den Hersteller (siehe [dometic.com/dealer](http://dometic.com/dealer)).

Dieses Gerät entspricht der UN ECE-Regelung R10.

	<b>RCD 10.5ES, RCD 10.5ET</b>	<b>RCD 10.5XES, RCD 10.5XET</b>
Kapazität		
Bruttoinhalt	176 l	200 l
Kühlschrankfach	140 l	159 l
Tiefkühlfach	35,7 l	40,6 l
Anschlussspannung	12 V $\equiv$	12 V $\equiv$
Durchschnittliche Leistungsaufnahme	75 W	75 W
Energieverbrauch Modus PERFORMANCE	0,698 kWh/24 h 58,1 Ah/24 h	0,754 kWh/24 h 62,6 Ah/24 h
Klimaklasse	N, ST	N, ST
Kältemittel	R600a	R600a
Bestandsmenge Kältemittel	34 g	34 g
CO <sub>2</sub> -Äquivalent	0,000102 t	0,000102 t
Treibhauspotential (GWP)	3	3
Geräuschemission	39 dB(A)	39 dB(A)
Abmessungen H x B x T (in mm)	1283 x 523 x 550	1283 x 523 x 605
Gewicht	38 kg	39,5 kg
Prüfung/Zertifikat		



Veillez lire et suivre attentivement l'ensemble des instructions, directives et avertissements figurant dans ce manuel afin d'installer, d'utiliser et d'entretenir le produit correctement à tout moment. Ces instructions DOIVENT rester avec le produit.

En utilisant ce produit, vous confirmez expressément avoir lu attentivement l'ensemble des instructions, directives et avertissements et que vous comprenez et acceptez de respecter les modalités et conditions énoncées dans le présent document. Vous acceptez d'utiliser ce produit uniquement pour l'usage et l'application prévus et conformément aux instructions, directives et avertissements figurant dans le présent manuel, ainsi qu'à toutes les lois et réglementations applicables. En cas de non-respect des instructions et avertissements figurant dans ce manuel, vous risquez de vous blesser ou de blesser d'autres personnes, d'endommager votre produit ou d'endommager d'autres biens à proximité. Le présent manuel produit, y compris les instructions, directives et avertissements, ainsi que la documentation associée peuvent faire l'objet de modifications et de mises à jour. Pour obtenir des informations actualisées sur le produit, veuillez consulter le site documents.dometic.com.

## Sommaire

1	Signification des symboles . . . . .	25
2	Consignes de sécurité . . . . .	26
3	Usage conforme . . . . .	28
4	Installation du réfrigérateur . . . . .	29
5	Mise au rebut. . . . .	32
6	Caractéristiques techniques . . . . .	32

## 1 Signification des symboles



### AVERTISSEMENT !

**Consignes de sécurité :** indiquent une situation dangereuse qui, si elle n'est pas évitée, est susceptible d'entraîner des blessures graves, voire mortelles.



### ATTENTION !

**Consignes de sécurité :** indiquent une situation dangereuse qui, si elle n'est pas évitée, est susceptible d'entraîner des blessures légères ou de gravité modérée.



### AVIS !

indiquent une situation dangereuse qui, si elle n'est pas évitée, peut entraîner des dommages matériels.



### REMARQUE

Informations complémentaires sur l'utilisation de ce produit.

## 2 Consignes de sécurité

### 2.1 Sécurité générale



**AVERTISSEMENT ! Le non-respect de ces mises en garde peut entraîner des blessures graves, voire mortelles.**

#### **Risque d'électrocution**

- L'installation et le retrait du réfrigérateur doivent uniquement être réalisés par un opérateur qualifié.
- Si le réfrigérateur présente des dégâts visibles, vous ne devez pas le mettre en service.
- Seul un professionnel est habilité à réparer le réfrigérateur. Toute réparation mal effectuée risquerait d'entraîner de graves dangers ou d'endommager le réfrigérateur.
- Si le câble de raccordement du réfrigérateur est endommagé, il doit être remplacé par le fabricant, son service après-vente ou une personne de qualification similaire, afin d'éviter tout danger.
- Veillez à ne pas coincer ni endommager le cordon d'alimentation lors de la mise en place du réfrigérateur.
- Branchez l'appareil sur des prises permettant un raccordement approprié, en particulier lorsque l'appareil doit être relié à la terre.

#### **Risque d'incendie**

- Le fluide frigorigène du circuit frigorifique s'enflamme facilement. En cas de fuite, des gaz combustibles peuvent s'accumuler si l'appareil se trouve dans une petite pièce.  
En cas d'endommagement du circuit frigorifique :
  - Veillez à tenir le réfrigérateur à l'écart des flammes nues et des sources d'ignition potentielles.
  - Aérez bien la pièce.
  - Éteignez le réfrigérateur.

Pour les réfrigérateurs utilisant du liquide frigorigène R600a :

- Le circuit frigorifique contient une faible quantité de liquide de réfrigérant écologique, mais inflammable. Il n'affecte pas la couche d'ozone et ne contribue pas à l'effet de serre. Une fuite de liquide réfrigérant peut prendre feu.
- N'utilisez ou ne stockez pas le réfrigérateur dans des espaces confinés avec une aération faible ou inexistante.

- Veillez à ne pas installer de composants électroniques et de luminaires susceptibles de générer des étincelles ou des arcs électriques lors du fonctionnement normal ou anormal (ex. : relais, compteurs.) dans la cavité du réfrigérateur.

### **Risque d'explosion**

- Ne pulvérisez pas d'aérosols à proximité du réfrigérateur lorsqu'il fonctionne.
- Ne stockez aucune substance explosive, telle que des aérosols contenant des gaz combustibles, dans le réfrigérateur.

### **Risque pour la santé**

- Ce réfrigérateur peut être utilisé par des enfants âgés de 8 ans et plus et des personnes ayant des capacités physiques, sensorielles ou mentales réduites ou un manque d'expérience et de connaissances, s'ils sont sous surveillance ou ont reçu des instructions sur l'utilisation du réfrigérateur en toute sécurité et comprennent les risques impliqués.
- Les enfants âgés de 3 à 8 ans peuvent remplir et vider le réfrigérateur.
- Le nettoyage et la maintenance ne doivent pas être effectués par des enfants sans surveillance.
- Les enfants doivent être surveillés pour s'assurer qu'ils ne jouent pas avec le réfrigérateur.

### **Risque de coincement des enfants**

- Veillez à ce que les clayettes soient montées et fixées de sorte que les enfants ne puissent pas s'enfermer dans le réfrigérateur.
- Avant de mettre au rebut votre ancien réfrigérateur :
  - Démontez les tiroirs.
  - Laissez les clayettes dans le réfrigérateur, afin que les enfants ne puissent pas entrer dedans.
  - Enlevez les portes de leurs gonds.



### **ATTENTION ! Le non-respect de ces mises en garde peut entraîner des blessures légères ou de gravité modérée.**

#### **Risque pour la santé**

- Pour éviter tout risque dû à l'instabilité du réfrigérateur, celui-ci doit être fixé conformément aux instructions d'installation.
- Veillez à ce que les orifices de ventilation situés sur le réfrigérateur et dans la structure intégrée ne soient pas obstrués.
- N'utilisez pas d'appareils mécaniques ou d'autres moyens pour accélérer le processus de décongélation, outre ceux recommandés par le fabricant.

- N'ouvrez ou n'endommagez en aucun cas le circuit frigorifique.
- N'exploitez aucun appareil électrique à l'intérieur du réfrigérateur, sauf si le fabricant le recommande.

#### **Risque de blessure**

- N'utilisez ou ne stockez pas de matériaux inflammables dans ce réfrigérateur ou à proximité de celui-ci.
- Ne placez pas d'articles dans ou contre ce réfrigérateur.
- Ne modifiez pas ce réfrigérateur.



#### **AVIS !**

#### **Risque d'endommagement**

- Vérifiez que la tension indiquée sur la plaque signalétique correspond à l'alimentation électrique dont vous disposez.
- Ne placez pas le réfrigérateur près de flammes ou d'autres sources de chaleur (chauffage, rayons solaires, fours à gaz, etc.).
- Veillez à ce que l'évacuation de la condensation soit toujours propre.
- Lors du nettoyage de véhicule dans la zone de la grille d'aération, n'utilisez pas de nettoyeur à haute pression.
- Le réfrigérateur ne doit pas être exposé à la pluie.

## **3 Usage conforme**

Le réfrigérateur est adapté à ce qui suit :

- Le montage dans des caravanes ou camping-cars
- Le refroidissement, la congélation et le stockage d'aliments

Le réfrigérateur n'est pas adapté à ce qui suit :

- Le stockage de médicaments
- Le stockage de substances corrosives ou contenant des solvants
- La surgélation d'aliments

Le réfrigérateur est destiné à être installé dans un meuble ou une cavité dédiée.

Ce réfrigérateur n'est pas destiné à être utilisé comme appareil domestique.

Le compartiment de congélation convient pour le stockage des produits précongelés et pour le stockage ou la préparation de glaces et de glaçons. Il n'est pas adapté à la congélation d'aliments.

## 4 Installation du réfrigérateur



### ATTENTION ! Risque pour la santé

Pour éviter tout risque dû à l'instabilité de l'appareil, celui-ci doit être fixé conformément aux instructions.



### ATTENTION ! Risque de blessure

L'appareil a des bords coupants. Portez des gants lors de l'installation.



### REMARQUE

Si le réfrigérateur à compresseur remplace un réfrigérateur à absorption, vous devez vous assurer que les grilles de ventilation externes sont complètement fermées, sinon le compresseur risque de ne pas fonctionner à basse température ambiante (en dessous de 0 °C).



Les instructions relatives au remplacement de la façade et de la charnière de la porte sont disponibles en ligne, à l'adresse :

[documents.dometic.com/?object\\_id=81907](https://documents.dometic.com/?object_id=81907)

### 4.1 Choix de l'emplacement d'installation



### AVIS ! Risque d'endommagement

- Le réfrigérateur ne doit pas être installé à l'arrière des caravanes avec la porte orientée dans le sens de la marche.
- Laissez l'appareil en position verticale pendant au moins 3 heures avant de le mettre en marche pour la première fois.

Tenez compte des remarques suivantes lors du montage du réfrigérateur :

- Veillez à ce que le sol soit solide et plat.  
Garez le véhicule horizontalement à cet effet.
- Le réfrigérateur doit être installé de sorte :
  - à être facilement accessible pour les travaux de maintenance
  - à pouvoir être installé et désinstallé facilement
  - à pouvoir être retiré sans trop d'effort du véhicule
- Dans les camping-cars, il est possible d'installer une unité sous le comptoir, avec la porte orientée dans le sens de la marche, à condition qu'elle soit installée à côté de la porte coulissante et derrière le siège passager.

- Le réfrigérateur doit être encastré afin qu'il soit stable lorsque le véhicule se déplace. Notez les dimensions dans fig. **1**, page 3 et fig. **3**, page 4 à cette fin. Notez la dimension de niche suivante (fig. **2**, page 4) :

	<b>RCD 10.ES, RCD 10.5ET</b>	<b>RCD 10.XES, RCD 10.5XET</b>
Hauteur du réfrigérateur <b>(A)</b>	1283 mm	1283 mm
Largeur du réfrigérateur <b>(B)</b>	523 mm	523 mm
Profondeur du réfrigérateur <b>(C)</b> (à l'exception du bouton de commande, 5 mm)	550 mm	605 mm
Hauteur de la niche <b>(H)</b>	1290 mm	1290 mm
Largeur de la niche <b>(W)</b>	528 mm	528 mm
Profondeur de la cavité <b>(D)</b>	568 mm	623 mm

- Le réfrigérateur doit être installé à une distance d'au moins 5 mm du sol pour garantir que la porte peut être ouverte correctement (fig. **3**, page 4).
  - Assurez-vous qu'aucun tapis n'entrave l'ouverture ou la fermeture de la porte.
  - Évitez de placer le réfrigérateur directement sur le sol.

## 4.2 Installation de l'évacuation de condensation

De la condensation peut se former à l'intérieur du réfrigérateur en raison de l'ouverture fréquente de la porte, d'aliments stockés de manière incorrecte ou d'aliments stockés lorsqu'il fait trop chaud. La condensation doit être évacuée avec une pente constante.

Installez l'évacuation de condensation comme suit :

- Faites passer le tuyau d'eau de condensation du réfrigérateur à travers une ouverture dans le plancher qui passe à l'extérieur.

### 4.3 Raccordement de l'alimentation électrique



L'alimentation électrique doit être raccordée par un électricien qualifié disposant des compétences et des connaissances requises en matière de structure et de fonctionnement d'équipements et d'installations électriques et ayant suivi une formation de sécurité afin d'identifier et d'éviter les risques associés.



#### AVIS ! Risque d'endommagement

- Pour éviter des pertes de tension et de puissance frigorifique, le câble doit être le plus court possible et ne doit pas être interrompu. Évitez pour cette raison de placer des interrupteurs, des connecteurs ou des répartiteurs supplémentaires.
- Avant le branchement, vérifiez si la tension de fonctionnement et la tension de la batterie correspondent (voir la plaque signalétique).
- Assurez-vous que la polarité est correcte lors du raccordement de l'alimentation électrique 12 V $\overline{=}$ .

1. Déterminez la section nécessaire du câble en fonction de sa longueur, selon fig. **4**, page 5.
2. Connectez les câbles au connecteur AMP du réfrigérateur (fig. **5**, page 5).
3. Connectez les autres extrémités des câbles à l'alimentation électrique 12 V $\overline{=}$  :
  - rd (rouge) : fusible de protection (10 A) sur le pôle positif (+)
  - bk (noir) : sur le pôle négatif (-)

### 4.4 Fixation du réfrigérateur



#### AVIS ! Risque d'endommagement

Vissez toujours à travers les douilles prévues ; dans le cas contraire, les composants en mousse et les câbles, entre autres, pourraient être endommagés.



#### REMARQUE

- Fixez les parois latérales ou les plinthes de telle sorte que les vis soient bien serrées, même sous une charge accrue (pendant la conduite).
- Le réfrigérateur est conçu pour fournir un flux d'air régulé. Il n'est pas recommandé de laisser un espace supplémentaire entre le réfrigérateur et les parois de la niche.

1. Déplacez le réfrigérateur vers son emplacement définitif avec le rebord avant appuyé contre la façade de la niche.
2. Vissez les vis (fig. **6**, page 6) dans les douilles en plastique des parois latérales du réfrigérateur puis dans le mur.
3. Placez les bouchons sur les têtes des vis.

## 5 Mise au rebut



### AVIS !

L'isolation du dispositif de réfrigération contient des gaz inflammables et nécessite des procédures d'élimination spéciales. À la fin de son cycle de vie, remettez le dispositif de réfrigération à un centre de recyclage approprié.



- Dans la mesure du possible, jetez les emballages dans les conteneurs de déchets recyclables prévus à cet effet.
- Pour éliminer définitivement le produit, contactez le centre de recyclage le plus proche ou votre revendeur spécialisé afin de vous informer sur les dispositions relatives au retraitement des déchets.

### Recyclage des produits avec des piles, des batteries et des sources lumineuses rechargeables



- Retirez toutes les piles, batteries et sources lumineuses rechargeables avant de recycler le produit.
- Rapportez les piles défectueuses ou les batteries usagées à votre revendeur ou à un centre de collecte.
- Les piles, les batteries et les sources lumineuses rechargeables usagées ne sont pas des déchets ménagers.
- Si vous souhaitez mettre le produit au rebut, contactez le centre de recyclage le plus proche ou votre revendeur spécialisé afin d'être informé des réglementations liées au traitement des déchets.
- Le produit peut être mis au rebut gratuitement.

## 6 Caractéristiques techniques

Pour consulter la déclaration de conformité UE actuelle liée à votre appareil, reportez-vous à la page produit correspondante sur [dometic.com](http://dometic.com) ou contactez directement le fabricant (voir [dometic.com/dealer](http://dometic.com/dealer)).



Cet appareil est conforme au règlement ECE R10 de la CEE-ONU.

	<b>RCD 10.5ES, RCD 10.5ET</b>	<b>RCD 10.5XES, RCD 10.5XET</b>
Capacité		
Capacité brute	176 l	200 l
Compartment réfrigérateur	140 l	159 l
Compartment de congélation	35,7 l	40,6 l
Tension de raccordement	12 V $\overline{=}$	12 V $\overline{=}$
Puissance moyenne absorbée	75 W	75 W
Consommation d'énergie	0,698 kWh/24 h	0,754 kWh/24 h
Mode PERFORMANCE	58,1 Ah/24 h	62,6 Ah/24 h
Classe climatique	N, ST	N, ST
Fluide frigorigène	R600a	R600a
Quantité de fluide frigorigène	34 g	34 g
Équivalent CO <sub>2</sub>	0,000102 t	0,000102 t
Potentiel de réchauffement global (GWP)	3	3
Niveau de bruit	39 dB(A)	39 dB(A)
Dimensions H x l x P (en mm)	1283 x 523 x 550	1283 x 523 x 605
Poids	38 kg	39,5 kg
Contrôle/certification		

Lea atentamente estas instrucciones y siga las indicaciones, directrices y advertencias incluidas en este manual para asegurarse de que instala, usa y mantiene correctamente el producto en todo momento. Estas instrucciones DEBEN permanecer con este producto.

Al usar el producto, usted confirma que ha leído cuidadosamente todas las instrucciones, directrices y advertencias, y que entiende y acepta cumplir los términos y condiciones aquí establecidos. Usted se compromete a usar este producto solo para el propósito y la aplicación previstos y de acuerdo con las instrucciones, directrices y advertencias establecidas en este manual del producto, así como de acuerdo con todas las leyes y reglamentos aplicables. La no lectura e incumplimiento de las instrucciones y advertencias aquí expuestas puede causarle lesiones a usted o a terceros, daños en el producto o daños en otras propiedades cercanas. Este manual del producto, incluyendo las instrucciones, directrices y advertencias, y la documentación relacionada, pueden estar sujetos a cambios y actualizaciones. Para obtener información actualizada sobre el producto, visite la página [documents.dometic.com](http://documents.dometic.com).

# Índice

- 1 Explicación de los símbolos . . . . . 34
- 2 Indicaciones de seguridad . . . . . 35
- 3 Uso previsto . . . . . 37
- 4 Montaje de la nevera . . . . . 38
- 5 Eliminación . . . . . 41
- 6 Datos técnicos . . . . . 42

## 1 Explicación de los símbolos



### ¡ADVERTENCIA!

**Información de seguridad:** Indica una situación peligrosa que, de no evitarse, puede ocasionar la muerte o lesiones graves.



### ¡ATENCIÓN!

**Información de seguridad:** Indica una situación peligrosa que, de no evitarse, puede ocasionar lesiones moderadas o leves.



### ¡AVISO!

Indica una situación peligrosa que, de no evitarse, puede provocar daños materiales.



### NOTA

Información adicional para el manejo del producto.

## 2 Indicaciones de seguridad

### 2.1 Seguridad general



**¡ADVERTENCIA! El incumplimiento de estas advertencias podría acarrear la muerte o lesiones graves.**

#### Riesgo de electrocución

- Únicamente personal cualificado podrá realizar la instalación y la retirada de la nevera.
- No ponga la nevera en funcionamiento si presenta desperfectos visibles.
- Solo personal especializado está autorizado a realizar reparaciones en la nevera. Las reparaciones que se realicen incorrectamente pueden dar lugar a situaciones de considerable peligro o pueden producir daños considerables en la nevera.
- Si se daña el cable de conexión de esta nevera, el fabricante, su servicio de atención al cliente o una persona cualificada debe reemplazarlo para evitar así posibles peligros.
- Cuando ubique la nevera, asegúrese de que el cable de suministro eléctrico no quede atrapado ni resulte dañado.
- Enchufe el aparato en tomas que garanticen una conexión correcta, sobre todo cuando sea necesario poner a tierra el aparato.

#### Peligro de incendio

- El refrigerante del circuito de refrigeración es altamente inflamable y en caso de que se produjera una fuga, se podrían formar gases combustibles si el aparato se encuentra en un recinto pequeño.  
En caso de daños en el circuito de refrigeración:
  - Mantenga alejadas de la nevera llamas vivas y posibles fuentes de ignición.
  - Ventile bien el recinto.
  - Apague la nevera.

Para neveras con refrigerante R600a:

- El circuito de refrigeración contiene una pequeña cantidad de refrigerante compatible con el medio ambiente, pero inflamable. No daña la capa de ozono ni aumenta el efecto invernadero. Toda fuga de refrigerante puede incendiarse.
- No utilice ni almacene la nevera en espacios cerrados en los que no haya circulación de aire o solo muy poca.

- Mantenga el hueco de instalación de la nevera libre de cualquier componente eléctrico y luminarias que produzcan chispas o arcos voltaicos (por ejemplo, relés o cajas de fusibles).

### **Peligro de explosión**

- No rocíe aerosoles en las inmediaciones de esta nevera mientras está en funcionamiento.
- No guarde en la nevera sustancias explosivas, tales como latas de aerosol con gases propelentes.

### **Riesgo para la salud**

- Esta nevera puede ser utilizada por menores a partir de 8 años y personas con capacidad física, sensorial o mental reducida, o con falta de experiencia y conocimientos, siempre que lo hagan bajo supervisión o hayan recibido instrucciones relativas al uso de la misma de manera segura y entendiendo los riesgos asociados.
- Los menores de 3 a 8 años pueden introducir y extraer productos de la nevera.
- Los niños solo podrán realizar las tareas de limpieza y mantenimiento bajo vigilancia.
- Controle a los niños para asegurarse de que no jueguen con la nevera.

### **Riesgo de atrapamiento infantil**

- Asegúrese de montar y asegurar las bandejas de tal manera que los niños no puedan quedar encerrados dentro de la nevera.
- Antes de desechar su vieja nevera:
  - Desmante los cajones.
  - Deje las bandejas dentro de la nevera para que los niños no puedan entrar en ella.
  - Desmante las puertas.



### **¡ATENCIÓN! El incumplimiento de estas precauciones podría acarrear lesiones moderadas o leves.**

#### **Riesgo para la salud**

- Para evitar peligros causados por la inestabilidad de la nevera, esta deberá fijarse tal como se indica en las instrucciones de instalación.
- Asegúrese de que las aberturas de ventilación de la nevera y de su carcasa o de la estructura en la que esté empotrada no estén nunca obstruidas.
- No utilice dispositivos mecánicos u otros medios para acelerar el proceso de descongelación, salvo los recomendados por el fabricante.
- No abra ni dañe el circuito de refrigerante bajo ninguna circunstancia.

- No utilice ningún aparato eléctrico dentro de la nevera, a no ser que el aparato en cuestión haya sido recomendado para ello por el fabricante del mismo.

### **Peligro de lesiones**

- No utilice ni almacene sustancias inflamables en el interior de la nevera ni cerca de ella.
- No coloque objetos encima de la nevera ni apoyados en ella.
- No haga modificaciones en esta nevera.



### **¡AVISO!**

#### **Peligro de daños**

- Compruebe que la especificación de tensión indicada en la placa de características sea igual a la de la fuente de alimentación.
- No coloque la nevera cerca de fuentes de calor (calentadores, radiación directa del sol, hornos de gas, etc.).
- Mantenga siempre limpio el drenaje de condensado.
- No emplee limpiadores de agua a alta presión en el área de la rejilla de ventilación al limpiar el vehículo.
- La nevera no debe quedar expuesta a la lluvia.

## **3 Uso previsto**

La nevera solo es adecuada para:

- Instalación en caravanas y autocaravanas
- Refrigerar, congelar y almacenar alimentos

La nevera no es adecuada para:

- Almacenar medicamentos
- Almacenar sustancias corrosivas o sustancias que contengan disolventes
- Alimentos de congelación rápida

La nevera está diseñada para instalarse en un armario o en un nicho de instalación.

Esta nevera no está diseñada para el uso doméstico.

El compartimento para congelados es adecuado para guardar productos precongelados, así como para guardar o hacer helados y cubitos de hielo. No es adecuada para congelar alimentos que no estaban congelados con anterioridad.

## 4 Montaje de la nevera



### ¡ADVERTENCIA! Riesgo para la salud

Para evitar peligros causados por la inestabilidad del aparato, este deberá fijarse tal como se indica en las instrucciones.



### ¡ATENCIÓN! Peligro de lesiones

El aparato tiene bordes afilados. Utilice guantes durante la instalación.



### NOTA

Si la nevera de compresor sustituye una nevera de absorción, asegúrese de que las rejillas de ventilación externas estén completamente cerradas, de lo contrario existe el riesgo de que el compresor no funcione a temperaturas ambientales muy bajas (~bajo 0 °C).



Las instrucciones en línea para cambiar la placa decorativa y el lado de apertura de la puerta están disponibles en:

[documents.dometic.com/?object\\_id=81907](https://documents.dometic.com/?object_id=81907)

### 4.1 Elección del lugar de instalación



### ¡AVISO! Peligro de daños

- No monte la nevera en la parte trasera de una autocaravana con la puerta apuntando en el sentido de la marcha.
- Deje el aparato en posición vertical durante al menos 3 horas antes de ponerlo en marcha por primera vez.

Durante el montaje de la nevera, tenga en cuenta las siguientes indicaciones:

- Asegúrese de que el suelo sea sólido y nivelado.  
Con este fin, aparque el vehículo en posición horizontal.
- La nevera debe estar instalada de forma que:
  - resulte fácilmente accesible para trabajos de mantenimiento
  - resulte fácil de desinstalar e instalar
  - pueda retirarse fácilmente del vehículo
- En las autocaravanas se puede instalar una unidad bajo la encimera con la puerta en el sentido de marcha, siempre y cuando se instale junto a la puerta corrediza y detrás del asiento del copiloto.

- La nevera se debe instalar empotrada para que no se desplace con el movimiento del vehículo. Para ello, tenga en cuenta las dimensiones de fig. **1**, página 3 y fig. **3**, página 4.

Tenga en cuenta también las siguientes dimensiones del hueco (fig. **2**, página 4):

	<b>RCD 10.ES, RCD 10.5ET</b>	<b>RCD 10.XES, RCD 10.5XET</b>
Altura del refrigerador <b>(A)</b>	1283 mm	1283 mm
Anchura del refrigerador <b>(B)</b>	523 mm	523 mm
Profundidad del refrigerador <b>(C)</b> (no incluye el regulador giratorio de 5 mm)	550 mm	605 mm
Altura del hueco <b>(H)</b>	1290 mm	1290 mm
Anchura del hueco <b>(W)</b>	528 mm	528 mm
Profundidad del hueco <b>(D)</b>	568 mm	623 mm

- Al instalar la nevera se debe guardar una distancia mínima de 5 mm respecto al suelo para garantizar que la puerta se pueda abrir bien (fig. **3**, página 4).
  - Asegúrese de que no haya alfombras que obstaculicen el libre movimiento de la puerta.
  - Evite colocar la nevera directamente encima del suelo.

## 4.2 Instalación del drenaje de condensado

En la nevera se puede formar condensación debido a la apertura frecuente de la puerta, alimentos mal almacenados o comida guardada cuando todavía está caliente. La condensación debe desaguar con una pendiente constante.

Instale el drenaje de condensado de la siguiente manera:

- Lleve el tubo del agua de condensación de la nevera al exterior a través de una abertura realizada en el suelo.

### 4.3 Conexión de la alimentación de tensión



El suministro de energía eléctrica debe ser conectado por un electricista cualificado que tenga capacidad demostrada y conocimientos relacionados con la construcción y el funcionamiento de equipos e instalaciones eléctricas, y que haya recibido formación en materia de seguridad para identificar y evitar los peligros asociados.



#### ¡AVISO! Peligro de daños

- Para evitar una caída de tensión y, con ello, un descenso del rendimiento, el cable debería ser lo más corto posible y sin interrupciones. Por ello, evite instalar interruptores, enchufes o cajas de distribución adicionales.
- Antes de realizar la conexión, compruebe si la tensión de funcionamiento y la tensión de la batería coinciden (véase la placa de características).
- Asegúrese de que la polaridad sea correcta al conectar la fuente de alimentación de 12 V $\text{---}$ .

1. Determine la sección del cable necesaria dependiendo de su longitud según fig. **4**, página 5.
2. Conecte los cables al conector AMP del refrigerador (fig. **5**, página 5).
3. Conecte los otros extremos de los cables a la fuente de alimentación de 12 V $\text{---}$ :
  - rd (rojo): con un fusible de protección (10 A) colocado en el polo positivo (+)
  - bk (negro): al polo negativo (-)

### 4.4 Fijar la nevera



#### ¡AVISO! Peligro de daños

Atornille solo a través de los casquillos guía previstos para ello, ya que, de lo contrario, pueden dañarse los componentes protegidos con espuma, como los cables.



**NOTA**

- Sujete las paredes laterales o los listones instalados de forma que los tornillos estén fijos incluso en caso de mucha carga (durante la conducción).
- La nevera está diseñada para suministrar un flujo de aire regulado. No se recomienda dejar ningún espacio adicional entre la nevera y las paredes del hueco.

1. Mueva el refrigerador a su ubicación final con la brida delantera apretada contra el frente del hueco.
2. Apriete los tornillos (fig. **6**, página 6) a través de los casquillos guía de plástico en los lados del refrigerador y hasta el interior de la pared.
3. Ponga las tapas en las cabezas de los tornillos.

## 5 Eliminación

**¡AVISO!**

El aislamiento de la nevera contiene ciclopentano y requiere una gestión de residuos especial. Deposite el aparato de refrigeración en un centro de reciclaje adecuado al finalizar su vida útil.



- Si es posible, deseche el material de embalaje en el contenedor de reciclaje adecuado.
- Consultar con un punto limpio o con un distribuidor especializado para obtener más información sobre cómo eliminar el producto de acuerdo con las normativas aplicables de eliminación.

### Reciclaje de productos con pilas, baterías recargables y fuentes de luz




- Quite todas las pilas, baterías recargables y fuentes de luz antes de reciclar el producto.
- Entregue las baterías defectuosas o usadas en un establecimiento especializado o deposítelas en un punto de recogida de residuos.
- No deseche ninguna pila, batería recargable ni fuente de luz con la basura doméstica.
- Cuando vaya a desechar definitivamente el producto, infórmese en el centro de reciclaje más cercano o en un comercio especializado sobre las normas pertinentes de gestión de residuos.
- El producto podrá desecharse gratuitamente.

## 6 Datos técnicos

Para la declaración de conformidad UE actual de su aparato, diríjase a la página de producto correspondiente en [dometic.com](http://dometic.com) o póngase en contacto directamente con el fabricante (véase [dometic.com/dealer](http://dometic.com/dealer)).

Este dispositivo cumple la norma UN ECE R10.

	<b>RCD10.5ES, RCD10.5ET</b>	<b>RCD10.5XES, RCD10.5XET</b>
Capacidad		
Capacidad bruta	176 l	200 l
Compartimento de nevera	140 l	159 l
Compartimento para congelados	35,7 l	40,6 l
Tensión de conexión	12 V $\equiv$	12 V $\equiv$
Potencia de entrada media	75 W	75 W
Consumo de energía	0,698 kWh/24 h	0,754 kWh/24 h
Modo PERFORMANCE	58,1 Ah/24 h	62,6 Ah/24 h
Clase climática	N, ST	N, ST
Refrigerante	R600a	R600a
cantidad existente de refrigerante	34 g	34 g
Equivalente de CO2	0,000102 t	0,000102 t
Índice GWP (Global warming potential)	3	3
Emisión de ruidos	39 dB(A)	39 dB(A)
Dimensiones A1 x An x P (en mm)	1283 x 523 x 550	1283 x 523 x 605
Peso	38 kg	39,5 kg
Inspección/certificados		

Leia atentamente as presentes instruções e siga todas as instruções, orientações e avisos incluídos neste manual, de modo a garantir sempre a correta instalação, utilização e manutenção do produto. É OBRIGATÓRIO manter estas instruções junto com o produto.

Ao utilizar o produto, está a confirmar que leu atentamente todas as instruções, orientações e avisos, e que compreende e aceita cumprir os termos e condições estabelecidos no presente manual. Aceita utilizar este produto exclusivamente para o fim e a aplicação a que se destina e de acordo com as instruções, orientações e avisos estabelecidos neste manual, assim como de acordo com todas as leis e regulamentos aplicáveis. Caso não leia nem siga as instruções e os avisos aqui estabelecidos, poderá sofrer ferimentos pessoais ou causar ferimentos a terceiros e o produto ou outros materiais nas proximidades poderão ficar danificados. Este manual do produto, incluindo as instruções, orientações e avisos, bem como a documentação relacionada, podem estar sujeitos a alterações e atualizações. Para consultar as informações atualizadas do produto, visite [documents.dometic.com](http://documents.dometic.com).

## Índice

1	Explicação dos símbolos . . . . .	43
2	Indicações de segurança . . . . .	44
3	Utilização adequada . . . . .	46
4	Montar o frigorífico . . . . .	47
5	Eliminação . . . . .	50
6	Dados técnicos . . . . .	50

## 1 Explicação dos símbolos



### AVISO!

**Indicação de segurança:** Indica uma situação perigosa que, se não for evitada, pode causar a morte ou ferimentos graves.



### PRECAUÇÃO!

**Indicação de segurança:** Indica uma situação perigosa que, se não for evitada, pode causar ferimentos ligeiros ou moderados.



### NOTA!

Indica uma situação que, se não for evitada, pode causar danos materiais.



### OBSERVAÇÃO

Informações suplementares para a utilização do produto.

## 2 Indicações de segurança

### 2.1 Princípios básicos de segurança



**AVISO! O incumprimento destes avisos poderá resultar em morte ou ferimentos graves.**

#### **Risco de eletrocussão**

- Apenas técnicos qualificados podem executar a montagem e a remoção do frigorífico.
- Não coloque o frigorífico em funcionamento se este apresentar danos visíveis.
- As reparações neste frigorífico só podem ser realizadas por técnicos especializados. Reparações inadequadas podem levar a perigos graves ou a danos no frigorífico.
- Se o cabo de alimentação deste frigorífico estiver danificado, terá de ser substituído pelo fabricante, pelo serviço de assistência técnica ou por uma pessoa com qualificações equivalentes, de forma a evitar riscos de segurança.
- Ao posicionar o frigorífico, certifique-se de que o cabo de alimentação não fica preso nem é danificado.
- Ligue o aparelho a tomadas que garantam uma ligação adequada, sobretudo se for necessário ligar o aparelho à terra.

#### **Perigo de incêndio**

- O refrigerante no circuito de refrigeração é altamente inflamável e, em caso de fuga, os gases de combustão podem acumular-se se o aparelho estiver numa divisão pequena.  
Em caso de danos no circuito de refrigeração:
  - Mantenha chamas sem proteção e potenciais fontes de ignição afastadas do frigorífico.
  - Ventile bem a divisão.
  - Desligue o frigorífico.

Para frigoríficos com refrigerante R600a:

- O circuito de refrigeração contém uma pequena quantidade de um refrigerante ecológico mas inflamável. Este produto não é prejudicial para a camada de ozono e não aumenta o efeito de estufa. Qualquer refrigerante vazado pode incendiar-se.
- Não utilize nem armazene o frigorífico em espaços confinados com pouco ou nenhum fluxo de ar.

- Mantenha o nicho de instalação destinado ao frigorífico livre de componentes elétricos e de lâmpadas que produzam faíscas ou arcos (p. ex., caixas de relés ou fusíveis) durante o seu funcionamento normal ou com anomalias.

### **Perigo de explosão**

- Não borrifar aerossóis nas proximidades do frigorífico enquanto este estiver em funcionamento.
- Não guarde no frigorífico substâncias com risco de explosão, como, por exemplo, latas de aerossóis com gás inflamável.

### **Risco para a saúde**

- Este frigorífico pode ser utilizado por crianças a partir dos 8 anos e pessoas com capacidades físicas, sensoriais ou mentais reduzidas ou sem experiência e conhecimento se forem supervisionadas ou receberem instruções sobre a utilização do frigorífico de forma segura e compreenderem os perigos implicados.
- Crianças com idades entre os 3 e os 8 anos podem encher e esvaziar o frigorífico.
- A limpeza e a manutenção por parte do utilizador não podem ser efetuadas por crianças sem supervisão.
- As crianças devem ser supervisionadas para assegurar que não brincom com o frigorífico.

### **Risco de as crianças ficarem presas**

- Certifique-se de que as prateleiras estão instaladas e fixadas para que não seja possível crianças trancarem-se dentro do frigorífico.
- Antes da eliminação do seu frigorífico usado:
  - Desmonte as gavetas.
  - Deixe ficar as prateleiras no frigorífico para que as crianças não entrem nele.
  - Retire as portas.



### **PRECAUÇÃO! O incumprimento destas advertências poderá resultar em ferimentos ligeiros ou moderados.**

#### **Risco para a saúde**

- Para evitar riscos devido à instabilidade do frigorífico, este tem de ser fixado de acordo com as instruções de montagem.
- Mantenha as aberturas de ventilação existentes no frigorífico e no respetivo compartimento ou na estrutura encastrada sempre desobstruídas.

- Não utilize ferramentas mecânicas ou outros meios de acelerar o processo de descongelamento para além dos recomendados pelo fabricante.
- Não abra nem danifique, em caso algum, o circuito de refrigeração.
- Não utilize aparelhos elétricos dentro do frigorífico, exceto se estes aparelhos elétricos tiverem sido recomendados para isso pelo fabricante.

#### **Perigo de ferimentos**

- Não utilize nem armazene materiais inflamáveis neste frigorífico ou nas suas proximidades.
- Não coloque objetos em cima deste frigorífico nem os encoste ao mesmo.
- Não modifique este frigorífico.



#### **NOTA! Risco de danos**

- Verifique se a indicação de tensão na placa de dados corresponde à da fonte de alimentação existente.
- Não coloque o frigorífico na proximidade de fontes de calor (aquecedores, luz solar direta, fornos a gás, etc.).
- Mantenha a abertura de condensação sempre limpa.
- Ao limpar o veículo, não utilize qualquer aparelho de limpeza de alta pressão na zona da grelha de ventilação.
- O frigorífico não pode ser exposto à chuva.

## **3 Utilização adequada**

O frigorífico é adequado para:

- Montagem em caravanas e autocaravanas
- Refrigeração, ultracongelamento e armazenamento de géneros alimentícios

O frigorífico não é adequado para:

- Armazenar medicamentos
- Armazenar substâncias corrosivas ou substâncias que contenham solventes
- Congelar rapidamente géneros alimentícios

O frigorífico está concebido para a instalação num móvel ou num nicho de instalação.

Este frigorífico não está concebido para ser utilizado em aplicações domésticas.

O compartimento para produtos congelados é adequado para armazenar géneros alimentícios pré-congelados, armazenar ou fazer gelado e fazer cubos de gelo. Não se destina a congelar géneros alimentícios previamente descongelados.

## 4 Montar o frigorífico



### **PRECAUÇÃO! Risco para a saúde**

Para evitar riscos devido à instabilidade do aparelho, este tem de ser fixado de acordo com as instruções.



### **PRECAUÇÃO! Perigo de ferimentos**

O aparelho tem arestas cortantes. Use luvas durante a instalação.



### **OBSERVAÇÃO**

Se o frigorífico de compressor substituir um frigorífico de absorção, deve certificar-se de que as grelhas de ventilação externas estão completamente fechadas. Caso contrário, existe o risco de o compressor não funcionar com uma temperatura ambiente baixa (~inferior a 0 °C).



Para mudar a placa decorativa e a dobradiça da porta, consulte as instruções online em:

[documents.dometic.com/?object\\_id=81907](https://documents.dometic.com/?object_id=81907)

### 4.1 Definir um local de montagem



### **NOTA! Risco de danos**

- O frigorífico não pode ser montado na traseira de autocaravanas com a porta virada para o sentido da marcha.
- Deixe o aparelho em posição vertical durante, pelo menos, três horas antes de o ligar pela primeira vez.

Durante a montagem do frigorífico, tenha em conta as seguintes indicações:

- Assegure-se de que o piso é sólido e plano.  
Para isso, estacione o veículo horizontalmente.
- O frigorífico tem de ser montado de modo a facilitar:
  - o acesso para os trabalhos de assistência
  - a desmontagem e a montagem
  - a remoção do veículo

- No caso da montagem em autocaravanas, é possível montar uma unidade sob a bancada com a porta virada para o sentido da marcha, desde que a unidade fique instalada junto da porta deslizante e por trás do banco do acompanhante do condutor.
- O frigorífico tem de ser instalado num nicho de modo a permanecer seguro durante a deslocação do veículo. Tenha em atenção as dimensões na fig. **1**, página 3 e fig. **3**, página 4 a este respeito.

Tenha em conta as seguintes dimensões do nicho (fig. **2**, página 4):

	<b>RCD 10.ES, RCD 10.5ET</b>	<b>RCD 10.XES, RCD 10.5XET</b>
Altura do frigorífico ( <b>A</b> )	1283 mm	1283 mm
Largura do frigorífico ( <b>B</b> )	523 mm	523 mm
Profundidade do frigorífico ( <b>C</b> ) (excluindo o botão de controlo de 5mm)	550 mm	605 mm
Altura da reentrância ( <b>H</b> )	1290 mm	1290 mm
Largura da reentrância ( <b>W</b> )	528 mm	528 mm
Profundidade da reentrância ( <b>D</b> )	568 mm	623 mm

- O frigorífico tem de ser instalado com uma distância mínima de 5 mm ao chão para garantir que a porta abre corretamente (fig. **3**, página 4).
  - Certifique-se de que nenhum tapete interfere com a livre movimentação da porta.
  - Evite pousar o frigorífico diretamente no chão.

## 4.2 Instalar o dreno de condensação

É possível que se forme condensação no interior do frigorífico devido a uma abertura frequente da porta, ao armazenamento incorreto de géneros alimentícios ou ao armazenamento de géneros alimentícios ainda quentes. A condensação tem de ser drenada com uma inclinação constante.

Instale o dreno de condensação da seguinte forma:

- Instale a mangueira de condensação a partir do frigorífico, passando-a por uma abertura no chão que vai para o exterior.



### 4.3 Ligar o aparelho à corrente



A ligação elétrica tem que ser efetuada por um eletricista especializado que possua os conhecimentos e as competências necessários para a construção e operação de instalações e equipamentos elétricos e que tenha formação em segurança relativamente à identificação e prevenção dos perigos envolvidos.



#### **NOTA! Risco de danos**

- Para evitar perdas de tensão e potência, o cabo deve ser o mais curto possível e não deve ser interrompido, se possível. Evite, por isso, interruptores, fichas ou distribuidores adicionais.
- Antes de ligar, verifique se a tensão de funcionamento e a tensão da bateria correspondem (ver placa de características).
- Certifique-se de que a polaridade está correta ao ligar a fonte de alimentação de 12 V $\text{---}$ .

1. Determine o corte transversal necessário do cabo de acordo com o comprimento do cabo, conforme a fig. **4**, página 5.
2. Ligue os cabos ao conector AMP do frigorífico (fig. **5**, página 5).
3. Ligue as outras extremidades dos cabos à fonte de alimentação de 12 V $\text{---}$ :
  - rd (red, vermelho): com uma proteção de fusível (10 A) montada no polo positivo (+)
  - bk (black, preto): no polo negativo (-)

### 4.4 Fixar o frigorífico



#### **NOTA! Risco de danos**

Aparafuse apenas através dos isoladores de passagem previstos para o efeito, caso contrário, os componentes com espuma, tais como cabos, podem ficar danificados.



#### **OBSERVAÇÃO**

- Fixe as paredes laterais ou os frisos instalados de modo que os parafusos fiquem bem apertados, mesmo sob cargas elevadas (durante viagens).
- O frigorífico foi concebido para fornecer um fluxo de ar controlado. Não é recomendado deixar espaço adicional entre o frigorífico e as paredes do nicho.

1. Desloque o frigorífico para o seu local definitivo com o flange dianteiro firmemente assente na parte frontal da reentrância.
2. Fixe os parafusos (fig. **6**, página 6) através dos isoladores de passagem de plástico nas paredes laterais do frigorífico até alcançar a parede.
3. Coloque as tampas nas cabeças dos parafusos.

## 5 Eliminação



### NOTA!

O isolamento do aparelho de refrigeração contém ciclopentano inflamável e requer medidas de eliminação especiais. No fim da respetiva vida útil, encaminhe o aparelho de refrigeração para um centro de reciclagem adequado.



- ▶ Sempre que possível, coloque o material de embalagem no respetivo contentor de reciclagem.
- ▶ Informe-se junto do centro de reciclagem ou revendedor mais próximo sobre como eliminar este produto de acordo com as disposições de eliminação aplicáveis.

### Reciclagem de produtos com pilhas, baterias recarregáveis e fontes de luz




- ▶ Remova todas as pilhas, baterias recarregáveis e fontes de luz antes de reciclar o produto.
- ▶ Entregue os seus acumuladores danificados ou pilhas gastas numa loja ou centro de recolha.
- ▶ As pilhas, baterias recarregáveis e fontes de luz não devem ser eliminadas juntamente com o lixo doméstico.
- ▶ Para eliminar definitivamente o produto, informe-se junto do centro de reciclagem ou revendedor mais próximo sobre as disposições de eliminação aplicáveis.
- ▶ O produto pode ser eliminado gratuitamente.

## 6 Dados técnicos

Para consultar a Declaração de Conformidade UE atual para o seu dispositivo, aceda à página do produto em questão em [dometic.com](http://dometic.com) ou entre diretamente em contacto com o fabricante (ver [dometic.com/dealer](http://dometic.com/dealer)).

Este aparelho está em conformidade com UN ECE R10.

	<b>RCD10.5ES, RCD10.5ET</b>	<b>RCD10.5XES, RCD10.5XET</b>
Volume		
Volume bruto	176 l	200 l
Compartimento do frigorífico	140 l	159 l
Compartimento para produtos congelados	35,7 l	40,6 l
Tensão de conexão	12 V $\equiv$	12 V $\equiv$
Potência de entrada média	75 W	75 W
Consumo de energia	0,698 kWh/24 h	0,754 kWh/24 h
Modo PERFORMANCE	58,1 Ah/24 h	62,6 Ah/24 h
Classe climática	N, ST	N, ST
Refrigerante	R600a	R600a
Quantidade de líquido refrigerante existente	34 g	34 g
Equivalente a CO <sub>2</sub>	0,000102 t	0,000102 t
Potencial de aquecimento global (PAG)	3	3
Emissão de ruído	39 dB(A)	39 dB(A)
Dimensões A x L x P (em mm)	1283 x 523 x 550	1283 x 523 x 605
Peso	38 kg	39,5 kg
Inspeção/certificação		

Si prega di leggere attentamente e di seguire tutte le istruzioni, le linee guida e le avvertenze incluse in questo manuale del prodotto, al fine di garantire che il prodotto venga sempre installato, utilizzato e mantenuto nel modo corretto. Queste istruzioni DEVONO essere conservate insieme al prodotto.

Utilizzando il prodotto, l'utente conferma di aver letto attentamente tutte le istruzioni, le linee guida e le avvertenze e di aver compreso e accettato di rispettare i termini e le condizioni qui espressamente indicati. L'utente accetta di utilizzare questo prodotto solo per lo scopo e l'applicazione previsti e in conformità con le istruzioni, le linee guida e le avvertenze indicate nel presente manuale del prodotto, nonché in conformità con tutte le leggi e i regolamenti applicabili. La mancata lettura e osservanza delle istruzioni e delle avvertenze qui espressamente indicate può causare lesioni personali e a terzi, danni al prodotto o ad altre proprietà nelle vicinanze. Il presente manuale del prodotto, comprende le istruzioni, le linee guida e le avvertenze e la relativa documentazione possono essere soggetti a modifiche e aggiornamenti. Per informazioni aggiornate sul prodotto, si prega di visitare il sito [documents.dometic.com](http://documents.dometic.com).

## Indice

1	Spiegazione dei simboli . . . . .	52
2	Istruzioni per la sicurezza . . . . .	53
3	Destinazione d'uso . . . . .	55
4	Montaggio del frigorifero . . . . .	56
5	Smaltimento . . . . .	59
6	Specifiche tecniche. . . . .	59

## 1 Spiegazione dei simboli



### AVVERTENZA!

**Istruzione per la sicurezza:** indica una situazione di pericolo che, se non evitata, può provocare lesioni gravi o mortali.



### ATTENZIONE!

**Istruzione per la sicurezza:** indica una situazione di pericolo che, se non evitata, può provocare lesioni di entità lieve o moderata.



### AVVISO!

Indica una situazione di pericolo che, se non evitata, può provocare danni alle cose.



### NOTA

Informazioni supplementari relative all'impiego del prodotto.

## 2 Istruzioni per la sicurezza

### 2.1 Sicurezza generale



**AVVERTENZA! La mancata osservanza di queste avvertenze potrebbe causare la morte o lesioni gravi.**

#### **Pericolo di scosse elettriche**

- L'installazione e la rimozione del frigorifero possono essere eseguite soltanto da personale qualificato.
- Se il frigorifero presenta danni visibili, non metterlo in funzione.
- Il frigorifero può essere riparato solo da personale specializzato. Le riparazioni che non vengono eseguite in maniera corretta possono causare gravi pericoli o danni al frigorifero.
- Se il cavo di collegamento di questo frigorifero viene danneggiato, per evitare pericoli, farlo sostituire dal produttore, dal suo servizio assistenza clienti o da personale con la qualifica necessaria.
- Durante il posizionamento del frigorifero, assicurarsi che il cavo di alimentazione non venga bloccato o danneggiato.
- Collegare l'apparecchio a prese che garantiscano una connessione adeguata, soprattutto quando l'apparecchio deve essere collegato alla massa.

#### **Pericolo di incendio**

- Il refrigerante nel circuito di raffreddamento è altamente infiammabile e in caso di perdita, i gas combustibili potrebbero accumularsi se l'apparecchio si trova in un ambiente di piccole dimensioni.  
In caso di danneggiamento del circuito di raffreddamento:
  - Tenere le fiamme libere e potenziali fonti di accensione lontane dal frigorifero.
  - Aerare bene l'ambiente.
  - Disattivare il frigorifero.

Per frigoriferi con refrigerante R600a:

- Il circuito di raffreddamento contiene una piccola quantità di un refrigerante ecologico ma infiammabile. Non danneggia lo strato di ozono e non aumenta l'effetto serra. Qualsiasi perdita di refrigerante può incendiarsi.
- Non usare o conservare il frigorifero in spazi ristretti con un flusso d'aria assente o minimo.

- Mantenere la nicchia di installazione del frigorifero libera da componenti elettrici e apparecchi di illuminazione che durante il funzionamento normale o anomalo producono scintille o archi elettrici (ad esempio relè o scatole dei fusibili).

### **Pericolo di esplosione**

- Non spruzzare aerosol in prossimità di questo frigorifero mentre è in funzione.
- Nel frigorifero non conservare sostanze che possono esplodere, come ad es. bombolette spray con gas propellente.

### **Pericolo per la salute**

- Questo frigorifero può essere utilizzato da bambini di età superiore a 8 anni, da persone con ridotte capacità fisiche, sensoriali o mentali o da persone inesperte o prive di conoscenze specifiche solo se sorvegliate o preventivamente istruite sull'impiego del frigorifero in sicurezza e se informate dei pericoli legati al prodotto stesso e in grado di comprenderli.
- I bambini dai 3 agli 8 anni possono riempire e svuotare il frigorifero.
- La pulizia e la manutenzione da parte dell'utente non possono essere eseguite da bambini lasciati soli.
- Sorvegliare i bambini per evitare che giochino con il frigorifero.

### **Rischio di intrappolamento per i bambini**

- Assicurarsi che i ripiani siano montati e fissati in modo che i bambini non possano chiudersi all'interno del frigorifero.
- Prima di smaltire il vostro vecchio frigorifero:
  - Smontare il cassetto.
  - Lasciare i piani d'appoggio all'interno del frigorifero in modo che i bambini non possano usarli come mezzi di salita.
  - Rimuovere le porte.



### **ATTENZIONE! La mancata osservanza di queste precauzioni potrebbe causare lesioni lievi o moderate.**

#### **Pericolo per la salute**

- Per evitare pericoli dovuti all'instabilità del frigorifero, fissarlo seguendo le istruzioni di installazione.
- Mantenere le aperture di ventilazione sul frigorifero, nel suo involucro o nella struttura incorporata, libere da ostruzioni.
- Non utilizzare apparecchi meccanici o altri mezzi per accelerare il processo di sbrinamento, diversi da quelli raccomandati dal produttore.
- Non aprire o danneggiare in nessun caso il circuito di raffreddamento.

- Non utilizzare apparecchi elettrici all'interno del frigorifero, ad eccezione di quelli consigliati dal produttore.

### **Rischio di lesioni**

- Non utilizzare o conservare materiali infiammabili nel frigorifero o nelle sue vicinanze.
- Non collocare oggetti sopra o contro questo frigorifero.
- Non modificare questo frigorifero.



### **AVVISO! Rischio di danni**

- Controllare che i dati della tensione riportati sulla targhetta corrispondano a quelli dell'alimentazione.
- Non collocare il frigorifero nelle vicinanze di fonti di calore (riscaldamenti, luce solare diretta, forni a gas, ecc.).
- Mantenere lo scarico della condensa sempre pulito.
- Per la pulizia del veicolo, non utilizzare un'idropulitrice nei pressi della griglia di ventilazione.
- Non esporre il frigorifero alla pioggia.

## **3 Destinazione d'uso**

Il frigorifero è adatto per:

- essere installato su camper e caravan
- refrigerare, congelare e conservare alimenti.

Il frigorifero non è adatto per:

- conservare medicinali
- conservare sostanze corrosive o sostanze contenenti solventi
- il congelamento rapido degli alimenti

Il frigorifero è destinato all'installazione in un mobile o in una nicchia di installazione.

Questo frigorifero non è destinato all'uso domestico.

Gli scomparti per prodotti congelati sono adatti alla conservazione di alimenti pre-surgelati, alla conservazione o alla produzione di gelato e alla produzione di cubetti di ghiaccio. Non è adatta per congelare alimenti.

## 4 Montaggio del frigorifero



### **ATTENZIONE! Pericolo per la salute**

Per evitare pericoli a causa dell'instabilità dell'apparecchio, fissarlo secondo le istruzioni.



### **ATTENZIONE! Rischio di lesioni**

L'apparecchio ha spigoli vivi. Indossare i guanti durante l'installazione.



### **NOTA**

Se il frigorifero a compressione sostituisce un'unità ad assorbimento, è necessario assicurarsi che le griglie di ventilazione esterne siano completamente chiuse, altrimenti sussiste il rischio che il compressore non funzioni in presenza di basse temperature ambiente ( $< 0^{\circ}\text{C}$ ).



Le istruzioni per la sostituzione del pannello decorativo e della cerniera della porta sono disponibili online all'indirizzo:

[documents.dometic.com/?object\\_id=81907](https://documents.dometic.com/?object_id=81907)

### 4.1 Scelta della posizione di montaggio



#### **AVVISO! Rischio di danni**

- Il frigorifero non può essere installato nella parte posteriore dei caravan con la porta rivolta in direzione di marcia.
- Lasciare l'apparecchio in posizione verticale per almeno 3 ore prima della prima messa in funzione.

Durante il montaggio del frigorifero, prestare attenzione alle seguenti indicazioni:

- Assicurarsi che il pavimento sia solido e piano.  
A tal fine parcheggiare il veicolo in piano.
- Il frigorifero deve essere installato in modo da:
  - essere facilmente accessibile per i lavori di manutenzione
  - facile da smontare e montare
  - essere rimosso facilmente dal veicolo
- Nei camper è possibile installare un'unità sotto banco con lo sportello rivolto nella direzione di marcia, purché sia installata accanto allo sportello scorrevole e dietro il sedile del secondo conducente.



- Il frigorifero deve essere montato in una nicchia affinché rimanga sicuro quando il veicolo è in movimento. A tale proposito, osservare le dimensioni nella fig. **1**, pagina 3 e nella fig. **3**, pagina 4.

Si noti anche la seguente dimensione dell'incavo (fig. **2**, pagina 4):

	<b>RCD 10.ES, RCD 10.5ET</b>	<b>RCD 10.XES, RCD 10.5XET</b>
Altezza del frigorifero <b>(A)</b>	1283 mm	1283 mm
Larghezza del frigorifero <b>(B)</b>	523 mm	523 mm
Profondità del frigorifero <b>(C)</b> (esclude la manopola 5mm)	550 mm	605 mm
Altezza dell'incavo <b>(H)</b>	1290 mm	1290 mm
Larghezza dell'incavo <b>(W)</b>	528 mm	528 mm
Profondità dell'incavo <b>(D)</b>	568 mm	623 mm

- Il frigorifero deve essere installato con una distanza minima di 5 mm dal pavimento per garantire che la porta possa essere aperta correttamente (fig. **3**, pagina 4).
  - Assicuratevi che nessun tappeto interferisca con il libero movimento della porta.
  - Evitare di posizionare il frigorifero direttamente sul pavimento.

## 4.2 Montaggio dello scarico della condensa

All'interno del frigorifero può formarsi acqua di condensa per effetto di frequenti aperture della porta, di generi alimentari conservati scorrettamente o di generi alimentari riposti nel frigorifero quando sono ancora troppo caldi. La condensa deve essere fatta defluire per mezzo di una pendenza costante.

Installare lo scarico della condensa nel seguente modo:

- Far uscire dal frigorifero il tubo flessibile della condensa, facendolo passare attraverso un'apertura sul pavimento che conduce all'esterno.

### 4.3 Collegamento dell'alimentazione elettrica



L'alimentazione elettrica deve essere collegata da un elettricista qualificato che abbia dimostrato di possedere abilità e conoscenze sulla costruzione e il funzionamento di apparecchiature elettriche e installazioni e abbia ricevuto la formazione sulla sicurezza per identificare ed evitare i pericoli correlati.



#### AVVISO! Rischio di danni

- Per evitare perdite di tensione e pertanto un calo delle prestazioni, il cavo deve essere tenuto più corto possibile e possibilmente non deve essere interrotto. Per questo motivo evitare interruttori, spine o prese multiple supplementari.
- Prima del collegamento controllare se la tensione di esercizio e la tensione della batteria corrispondono (vedi targhetta).
- Assicurarsi che la polarità sia corretta prima di collegare l'alimentazione a 12 V $\text{---}$ .

1. Determinare la sezione del cavo necessaria in funzione della sua lunghezza, come da fig. **4**, pagina 5.
2. Collegare i cavi al connettore AMP del frigorifero (fig. **5**, pagina 5).
3. Collegare le altre estremità dei cavi all'alimentazione a 12 V $\text{---}$ :
  - rd (rosso): con un fusibile di protezione (10 A) montato sul polo positivo (+)
  - bk (nero): sul polo negativo (-)

### 4.4 Fissaggio del frigorifero



#### AVVISO! Rischio di danni

Forare sempre attraverso le apposite boccole, altrimenti vi è il rischio di danneggiare componenti schiumati, come i cavi.



#### NOTA

- Fissare le pareti laterali o i listelli applicati, in modo tale che le viti restino in posizione anche in caso di aumento dei carichi (durante la marcia del veicolo).
- Il frigorifero è realizzato per fornire un flusso d'aria regolato. Si sconsiglia di lasciare uno spazio aggiuntivo tra il frigorifero e le pareti dell'incavo.

1. Spostare il frigorifero nella sua posizione finale con la flangia anteriore che si appoggia saldamente contro la parte anteriore dell'incavo.
2. Avvitare le viti (fig. **6**, pagina 6) attraverso le boccole in plastica nelle pareti laterali del frigorifero e quindi nella parete della nicchia.
3. Applicare i cappucci di protezione sulle teste delle viti.

## 5 Smaltimento



### AVVISO!

L'isolamento del frigorifero contiene ciclopentano infiammabile e necessita di procedure speciali per lo smaltimento. Al termine del suo ciclo di vita consegnare il frigorifero portatile presso un centro di riciclaggio adatto.



- Smaltire il materiale di imballaggio possibilmente negli appositi contenitori di riciclaggio.
- Consultare il centro locale di riciclaggio o il rivenditore specializzato per informazioni su come smaltire il prodotto secondo le norme sullo smaltimento applicabili.

### Riciclaggio di prodotti con batterie, batterie ricaricabili e fonti di luce




- Rimuovere tutte le batterie, le batterie ricaricabili e le fonti di luce prima di riciclare il prodotto.
- Consegnare gli accumulatori difettosi o le batterie usate al rivenditore o presso un centro di raccolta.
- Non smaltire le batterie, le batterie ricaricabili e le fonti di luce insieme ai rifiuti domestici generici.
- Per smaltire definitivamente il prodotto, informarsi presso il centro di riciclaggio più vicino o presso il proprio rivenditore specializzato sulle norme relative allo smaltimento.
- È possibile smaltire il prodotto gratuitamente.

## 6 Specifiche tecniche

Per consultare l'attuale dichiarazione di conformità UE del dispositivo, visitare la pagina del relativo prodotto sul sito [dometic.com](http://dometic.com) oppure contattare direttamente il fabbricante (vedi [dometic.com/dealer](http://dometic.com/dealer)).

Questo apparecchio è conforme a UN ECE R10.

	<b>RCD 10.5ES, RCD 10.5ET</b>	<b>RCD 10.5XES, RCD 10.5XET</b>
Capienza		
Volume interno	176 l	200 l
Vano frigorifero	140 l	159 l
Scomparto per prodotti congelati	35,7 l	40,6 l
Tensione di allacciamento	12 V $\equiv$	12 V $\equiv$
Potenza media assorbita	75 W	75 W
Consumo energetico	0,698 kWh/24 h	0,754 kWh/24 h
Modalità PERFORMANCE	58,1 Ah/24 h	62,6 Ah/24 h
Classe climatica	N, ST	N, ST
Refrigerante	R600a	R600a
Quantità di refrigerante	34 g	34 g
CO2 equivalente	0,000102 t	0,000102 t
Potenziale di riscaldamento globale (GWP)	3	3
Emissioni acustiche	39 dB(A)	39 dB(A)
Dimensioni A x L x P (in mm)	1283 x 523 x 550	1283 x 523 x 605
Peso	38 kg	39,5 kg
Ispezione/certificazione		

Lees deze gebruiksaanwijzing zorgvuldig door en volg alle instructies, richtlijnen en waarschuwingen in deze handleiding op om ervoor te zorgen dat u het product te allen tijde op de juiste manier installeert, gebruikt en onderhoudt. Deze gebruiksaanwijzing MOET bij dit product bewaard worden.

Door het product te gebruiken, bevestigt u hierbij dat u alle instructies, richtlijnen en waarschuwingen zorgvuldig hebt gelezen en dat u de voorwaarden zoals hierin beschreven begrijpt en accepteert. U gaat ermee akkoord dit product alleen te gebruiken voor het beoogde doel en de beoogde toepassing en in overeenstemming met de instructies, richtlijnen en waarschuwingen zoals beschreven in deze gebruiksaanwijzing en in overeenstemming met de geldende wet- en regelgeving. Het niet lezen en opvolgen van de hierin beschreven instructies en waarschuwingen kan leiden tot letsel voor uzelf en anderen, schade aan uw product of schade aan andere eigendommen in de omgeving. Deze gebruiksaanwijzing, met inbegrip van de instructies, richtlijnen en waarschuwingen, en de bijbehorende documentatie kan onderhevig zijn aan wijzigingen en updates. Actuele productinformatie vindt u op [documents.dometic.com](http://documents.dometic.com).

## Inhoudsopgave

1	Verklaring van de symbolen . . . . .	61
2	Veiligheidsaanwijzingen . . . . .	62
3	Beoogd gebruik . . . . .	64
4	De koelkast monteren . . . . .	65
5	Verwijdering . . . . .	68
6	Technische gegevens . . . . .	68

## 1 Verklaring van de symbolen



### WAARSCHUWING!

**Veiligheidsaanwijzing:** duidt op een gevaarlijke situatie die, indien deze niet wordt voorkomen, kan leiden tot ernstig letsel of de dood.



### VOORZICHTIG!

**Veiligheidsaanwijzing:** duidt op een gevaarlijke situatie die, indien deze niet wordt voorkomen, kan leiden tot licht of matig letsel.



### LET OP!

Duidt op een situatie die, indien deze niet wordt voorkomen, kan leiden tot materiële schade.



### INSTRUCTIE

Aanvullende informatie voor het gebruik van het product.

## 2 Veiligheidsaanwijzingen

### 2.1 Algemene veiligheid



**WAARSCHUWING! Het niet in acht nemen van deze waarschuwingen kan leiden tot ernstig letsel of de dood.**

#### **Gevaar voor elektrische schokken**

- Montage en demontage van de koelkast mogen alleen door gekwalificeerd personeel worden uitgevoerd.
- Als de koelkast zichtbaar is beschadigd, mag hij niet in gebruik worden genomen.
- Reparaties aan deze koelkast mogen uitsluitend worden uitgevoerd door bevoegd personeel. Door verkeerde reparaties kunnen ernstige gevaren resp. beschadigingen aan de koelkast ontstaan.
- Als de aansluitkabel van deze koelkast beschadigd is, moet deze, om gevaren te voorkomen, worden vervangen door de fabrikant, diens klantenservice of gelijkwaardig bevoegd personeel.
- Zorg er bij het plaatsen van de koelkast voor dat het netsnoer niet verstrikt of beschadigd raakt.
- Sluit het toestel aan op contactdozen die een goede verbinding garanderen, met name wanneer het toestel moet worden geaard.

#### **Brandgevaar**

- Het koelmiddel in de koelkring is licht ontvlambaar en in geval van een lekkage kunnen zich brandbare gassen verzamelen als het toestel is opgesteld in een kleine ruimte.  
In geval van beschadiging van de koelkring:
  - Houd open vuur en mogelijke ontstekingsbronnen uit te buurt van de koelkast.
  - Ventileer de ruimte goed.
  - Schakel de koelkast uit.

Voor koelkasten met koelmiddel R600a:

- De koelkring bevat een kleine hoeveelheid milieuvriendelijk, maar ontvlambaar koelmiddel. Het schaadt de ozonlaag niet en versterkt het broeikas effect niet. Lekkend koelmiddel kan vlam vatten.
- Gebruik of bewaar de koelkast niet in nauwe ruimtes zonder of met minimale luchtstroom.

- Houd de inbouwnis voor de koelkast vrij van elektrische componenten en lichtbronnen die tijdens normaal of afwijkend gebruik vonken of lichtbogen veroorzaken (bijv. relais of zekeringenkasten).

### **Explosiegevaar**

- Spuit niet met spuitbussen in de buurt van deze koelkast als hij in gebruik is.
- Bewaar geen explosiegevaarlijke stoffen, zoals spuitbussen met brandbaar drijfgas, in de koelkast.

### **Gevaar voor de gezondheid**

- De koelkast mag worden gebruikt door kinderen vanaf 8 jaar en ouder evenals door personen met verminderd fysiek, zintuiglijk of mentaal vermogen of gebrek aan kennis en ervaring, mits zij onder toezicht staan of zijn geïnstrueerd in het veilig gebruik van de koelkast en zij inzicht hebben in de gevaren die het gebruik ervan met zich meebrengt.
- Kinderen van 3 tot 8 jaar mogen de koelkast alleen in- en uitruimen.
- Reiniging en onderhoud mogen niet worden uitgevoerd door kinderen zonder toezicht.
- Er moet op worden gelet dat kinderen niet met de koelkast spelen.

### **Gevaar voor insluiting van kinderen**

- Zorg ervoor dat de legplanken zodanig zijn gemonteerd en beveiligd dat kinderen zich niet in de koelkast kunnen opsluiten.
- Voor het afvoeren van uw oude koelkast:
  - Demonteer de laden.
  - Laat de legplanken in de koelkast, zodat kinderen er niet in kunnen klimmen.
  - Haak de deuren uit.



### **VOORZICHTIG! Het niet in acht nemen van deze waarschuwingen kan leiden tot licht of matig letsel.**

#### **Gevaar voor de gezondheid**

- Om gevaar door instabiliteit van de koelkast te voorkomen, moet deze volgens de montagehandleiding worden bevestigd.
- Houd ventilatieopeningen van de koelkast en in de behuizing of inbouwconstructie vrij.
- Gebruik geen mechanische apparaten of andere middelen om het ontdooiproces te versnellen dan de door de fabrikant aanbevolen middelen.
- Open of beschadig in geen geval de koelkring.

- Gebruik geen elektrische toestellen in de koelkast, behalve als deze elektrische toestellen daarvoor door de fabrikant worden aanbevolen.

### **Gevaar voor letsel**

- Gebruik of bewaar geen ontvlambare materialen in of in de buurt van deze koelkast.
- Plaats geen voorwerpen op of tegen deze koelkast.
- Breng geen wijzigingen aan in deze koelkast.



### **LET OP! Gevaar voor schade**

- Controleer of de spanning op het typeplaatje overeenkomt met de aanwezige stroomvoorziening.
- Plaats de koelkast niet in de buurt van warmtebronnen (verwarming, direct zonlicht, gaskachels enz.).
- Houd de condensafvoer altijd schoon.
- Gebruik voor voertuigreiniging rond het ventilatierooster geen hogedrukreiniger.
- De koelkast mag niet aan regen worden blootgesteld.

## **3 Beoogd gebruik**

De koelkast is geschikt voor:

- Installatie in caravans en campers
- Koelen, diepvriezen en bewaren van levensmiddelen

De koelkast is niet geschikt voor:

- De opslag van geneesmiddelen
- De opslag van corroderende substanties of substanties die oplosmiddelen bevatten
- Snel invriezen van levensmiddelen

De koelkast is bestemd voor inbouw in een keukenkastje of in een inbouwnis.

Deze koelkast is niet bedoeld voor gebruik voor huishoudelijke doeleinden.

Het vriescompartiment is geschikt voor het bewaren van diepvriesproducten, het bewaren of maken van ijs en het maken van ijsblokjes. Het is niet geschikt voor het invriezen van eerder ontdooide levensmiddelen.



## 4 De koelkast monteren



### **VOORZICHTIG! Gevaar voor de gezondheid**

Om gevaar door instabiliteit van het toestel te voorkomen, moet het volgens de instructies worden bevestigd.



### **VOORZICHTIG! Gevaar voor letsel**

Het toestel heeft scherpe randen. Draag bij de montage handschoenen.



### **INSTRUCTIE**

Als de compressorkoelkast een absorptiekoelkast vervangt, dient u ervoor te zorgen dat de externe ventilatieroosters volledig gesloten zijn. Anders bestaat het risico dat de compressor bij lage omgevingstemperaturen (~onder 0 °C) niet loopt.



De instructies voor het vervangen van de decoratieplaat en het deurscharnier vindt u online op:

[documents.dometic.com/?object\\_id=81907](https://documents.dometic.com/?object_id=81907)

### 4.1 Een montageplaats kiezen



### **LET OP! Gevaar voor schade**

- De koelkast mag niet worden geïnstalleerd aan de achterzijde van een camper met de deur in rijrichting.
- Laat het toestel ten minste 3 uur in een verticale positie alvorens het voor de eerste keer in te schakelen.

Neem bij de montage van de koelkast volgende aanwijzingen in acht:

- Zorg ervoor dat de vloer horizontaal en stevig is.  
Parkeer het voertuig hiervoor horizontaal.
- De koelkast moet zodanig worden geïnstalleerd dat:
  - deze eenvoudig toegankelijk is voor onderhoudswerk
  - deze eenvoudig kan worden gedemonteerd en gemonteerd
  - deze eenvoudig uit het voertuig kan worden verwijderd
- In campingbusjes mag er een onderkast worden geïnstalleerd waarvan de deuren in rijrichting wijzen, mits deze naast de schuifdeur en achter de stoel van de rijder wordt geïnstalleerd.

- De koelkast moet in een nis worden ingebouwd, zodat hij bij beweging van het voertuig veilig staat. Let hiervoor op de afmetingen in afb. **1**, pagina 3 en afb. **3**, pagina 4.

Let op de volgende afmetingen van de nis (afb. **2**, pagina 4):

	RCD 10.ES, RCD 10.5ET	RCD 10.XES, RCD 10.5XET
Koelkasthoogte ( <b>A</b> )	1283 mm	1283 mm
Koelkastbreedte ( <b>B</b> )	523 mm	523 mm
Koelkastdiepte ( <b>C</b> ) (exclusief regelknop 5 mm)	550 mm	605 mm
Hoogte nis ( <b>H</b> )	1290 mm	1290 mm
Breedte nis ( <b>W</b> )	528 mm	528 mm
Diepte nis ( <b>D</b> )	568 mm	623 mm

- De koelkast moet op ten minste 5 mm afstand van de vloer worden gemonteerd, om ervoor te zorgen dat de deur goed kan worden geopend (afb. **3**, pagina 4).
  - Zorg ervoor dat er geen vloerbedekkingen de vrije beweging van de deur belemmeren.
  - Plaats de koelkast niet direct op de vloer.

## 4.2 De condensafvoer monteren

Door openen van de deur, onjuist bewaren van levensmiddelen of door warme levensmiddelen kan in de koelkast condens ontstaan. Condens moet worden afgevoerd.

Monteer de condensafvoer als volgt:

- Leg de condenswaterslang van de koelkast door een opening in de vloer naar buiten.

## 4.3 De stroomvoorziening aansluiten



De elektrische aansluiting moet worden uitgevoerd door een bevoegde elektricien met aantoonbare kennis en vaardigheden op het gebied van de constructie en werking van elektrische apparaten en installaties, die is opgeleid om de gevaren die elektrische apparaten en installaties met zich meebrengen veilig te herkennen en te voorkomen.



### LET OP! Gevaar voor schade

- Om spanningsverlies en daardoor vermogensverlies te voorkomen, moet de kabel zo kort mogelijk worden gehouden en indien mogelijk niet worden onderbroken. Vermijd daarom extra schakelaars, stekkers of verdeelkasten.
- Controleer voor de aansluiting of de bedrijfsspanning en de accuspanning overeenkomen (zie typeplaatje).
- Let bij het aansluiten van de 12V===-stroomvoorziening op de juiste polariteit.

1. Bepaal de vereiste kabeldiameter afhankelijk van de kabellengte conform afb. **4**, pagina 5.
2. Verbind de kabels met de AMP-aansluiting van de koelkast (afb. **5**, pagina 5).
3. Verbind het andere uiteinde van de kabels met de 12V===-stroomvoorziening:
  - rd (rood): met een zekering (10 A) aan de pluspool (+)
  - bk (zwart): aan de minpool (-)

## 4.4 Koelkast bevestigen



### LET OP! Gevaar voor schade

Schroef alleen door de hiervoor bedoelde bussen, omdat anders ingeschuimde componenten zoals kabels en dergelijke beschadigd kunnen raken.



### INSTRUCTIE

- Bevestig de zijwanden of de aangebrachte lijsten zodanig dat de schroeven goed vastzitten, zelfs bij verhoogde belasting (tijdens het rijden).
- De koelkast is ontworpen om een gereguleerde luchtstroom te leveren. Het is niet aanbevolen om extra ruimte te laten tussen de koelkast en de wanden van de nis.

1. Plaats de koelkast op zijn definitieve locatie met de flens aan de voorzijde stevig tegen de front van de nis.
2. Draai de schroeven (afb. **6**, pagina 6) door de kunststof bussen heen in de zijwanden van de koelkast en verder in de wand.
3. Plaats de afdekkappen op de schroefkoppen.

## 5 Verwijdering



### LET OP!

De isolatie van het koeltoestel bevat ontvlambaar cyclopentaan en vereist speciale verwerkingsprocedures. Breng het koeltoestel aan einde van zijn levensduur naar een erkend afvalverwerkingsbedrijf.



- Gooi het verpakkingsmateriaal indien mogelijk altijd in recyclingafvalbakken.
- Vraag het dichtstbijzijnde recyclingcentrum of uw dealer naar informatie over hoe het product kan worden weggegooid in overeenstemming met alle van toepassing zijnde nationale en lokale regelgeving.

### Producten met batterijen, oplaadbare batterijen en lichtbronnen recycleren




- Verwijder alle batterijen, oplaadbare batterijen en lichtbronnen voordat u het product laat recycleren.
- Geef uw defecte accu's of verbruikte batterijen af bij de leverancier of bij een verzamelpunt.
- Geef accu's en batterijen, oplaadbare batterijen en lichtbronnen niet mee met het huishoudelijke afval.
- Als u het product definitief weg wilt doen, vraag dan bij het dichtstbijzijnde afvalverwerkingsbedrijf of uw dealer naar de betreffende afvoerschriften.
- Het product kan gratis worden afgevoerd.

## 6 Technische gegevens

Voor de actuele EU-verklaring van overeenstemming voor uw toestel gaat u naar de desbetreffende productpagina op [dometic.com](http://dometic.com) of neemt u direct contact op met de fabrikant (zie [dometic.com/dealer](http://dometic.com/dealer)).

Dit toestel voldoet aan VN ECE R10.

	<b>RCD10.5ES, RCD10.5ET</b>	<b>RCD10.5XES, RCD10.5XET</b>
Capaciteit		
Bruto inhoud	176 l	200 l
Koelcompartiment	140 l	159 l
Vriescompartiment	35,7 l	40,6 l
Aansluitspanning	12 V $\overline{=}$	12 V $\overline{=}$
Gemiddeld opgenomen ver- mogen	75 W	75 W
Energieverbruik PERFORMANCE-modus	0,698 kWh/24 h 58,1 Ah/24 h	0,754 kWh/24 h 62,6 Ah/24 h
Klimaatklasse	N, ST	N, ST
Koelmiddel	R600a	R600a
Hoeveelheid koelmiddel	34 g	34 g
CO <sub>2</sub> -equivalent	0,000102 t	0,000102 t
Aardopwarmingsvermogen (GWP)	3	3
Geluidsemisatie	39 dB(A)	39 dB(A)
Afmetingen h x b x d (in mm)	1283 x 523 x 550	1283 x 523 x 605
Gewicht	38 kg	39,5 kg
Inspectie/certificering		

Læs og følg alle disse anvisninger, retningslinjer og advarsler i denne produktvejledning grundigt for at sikre, at du altid installerer, bruger og vedligeholder produktet korrekt. Disse anvisninger SKAL opbevares sammen med dette produkt.

Ved at benytte produktet bekræfter du hermed, at du har læst alle anvisninger, retningslinjer og advarsler grundigt, og at du forstår og er indforstået med de vilkår og betingelser, der er fastlagt heri. Du er indforstået med kun at bruge dette produkt til det beregnede formål og anvendelse i overensstemmelse med anvisningerne, retningslinjerne og advarslerne i denne produktvejledning samt i overensstemmelse med alle de gældende love og forskrifter. Manglende læsning og ignorering af disse anvisninger og advarsler kan medføre kvæstelser på dig selv og andre, skade på dit produkt eller skade på anden ejendom i nærheden. Der tages forbehold for eventuelle ændringer og opdateringer af denne produktvejledning samt anvisningerne, retningslinjerne og advarslerne samt den tilhørende dokumentation. Se [documents.dometic.com](http://documents.dometic.com) for de nyeste produktinformationer.

## Indhold

1	Forklaring af symboler . . . . .	70
2	Sikkerhedshenvisninger . . . . .	71
3	Korrekt brug . . . . .	73
4	Montering af køleskabet . . . . .	74
5	Bortskaffelse . . . . .	77
6	Tekniske data . . . . .	77

## 1 Forklaring af symboler



### ADVARSEL!

**Sikkerhedshenvisning:** Angiver en farlig situation, som kan medføre dødsfald eller alvorlig kvæstelse, såfremt den ikke undgås.



### FORSIGTIG!

**Sikkerhedshenvisning:** Angiver en farlig situation, som kan medføre mindre eller lette kvæstelser, såfremt den ikke undgås.



### VIGTIGT!

Angiver en situation, som kan medføre materielle skader, såfremt den ikke undgås.



### BEMÆRK

Supplerende oplysninger om betjening af produktet.

## 2 Sikkerhedshenvisninger

### 2.1 Grundlæggende sikkerhed



**ADVARSEL! Manglende overholdelse af disse advarsler kan medføre dødelige eller alvorlige kvæstelser.**

#### **Fare for elektrisk stød**

- Installation og fjernelse af køleskabet må kun udføres af fagfolk.
- Hvis køleskabet har synlige beskadigelser, må du ikke tage det i brug.
- Reparationer på dette køleskab må kun foretages af fagfolk. Ved ukorrekte reparationer kan der opstå betydelige farer eller skader på køleskabet.
- Hvis dette køleskabs tilslutningskabel beskadiges, skal det udskiftes af producenten, dennes kundeservice eller en lignende kvalificeret person for at undgå farer.
- Når køleskabet placeres, skal det sikres, at strømkablet ikke sidder i klemme eller beskadiges.
- Sæt apparatet i stikdåser, der sikrer en korrekt forbindelse, især når apparatet skal forbindes med jord.

#### **Brandfare**

- Kølemidlet i kølekredsløbet er letantændeligt, og i tilfælde af en lækage kan der ophobes brændbare gasser, hvis apparatet befinder sig i et lille rum.  
Ved en beskadigelse af kølemiddelkredsløbet:
  - Hold åbne flammer og eventuelle antændingskilder væk fra køleskabet.
  - Sørg for at udlufte rummet godt.
  - Sluk for køleskabet.

For køleskabe med kølemidlet R600a:

- Kølemiddelkredsløbet indeholder en lille mængde miljøvenligt men brændbart kølemiddel. Det skader ikke ozonlaget og det bidrager ikke til at øge drivhuseffekten. Alle lækkede kølemidler kan antændes.
- Køleskabet må ikke anvendes eller opbevares ved trange pladsforhold eller ved en minimal luftstrøm.
- Hold køleskabets monteringsniche fri for elektriske komponenter og belysningsarmaturer, der frembringer gnister eller lysbuer under normal eller unormal drift (f.eks. relæer eller sikringskasser).

**Eksplodingsfare**

- Du må ikke sprøjte med aerosoler i nærheden af dette køleskab, mens det anvendes.
- Opbevar ikke eksplosive stoffer, som f.eks. spraydåser med drivgas, i køleskabet.

**Sundhedsfare**

- Dette køleskab kan anvendes af børn over 8 år og personer med reducerede fysiske, sans- eller mentale evner eller uden erfaring eller viden, hvis de er under opsyn eller blev instrueret i sikker brug af køleskabet og forstår de involverede farer.
- Børn i alderen fra 3 til 8 år må fylde og tømme køleskabet.
- Rengøring og brugerens vedligeholdelse må ikke udføres af børn uden opsyn.
- Børn bør være under opsyn for at sikre, at de ikke leger med køleskabet.

**Risiko for, at børn kan blive lukket inde**

- Kontrollér, at hylterne er monteret og sikret korrekt, så børn ikke kan låse sig selv inde i køleskabet.
- Før det gamle køleskab bortskaffes:
  - Afmontér skuffen.
  - Lad hylterne blive i køleskabet, så børn ikke kan gå ind i det.
  - Afmontér dørene.

**FORSIGTIG! Manglende overholdelse af disse forsigtighedshenvisninger kan medføre mindre eller moderate kvæstelser.****Sundhedsfare**

- For at undgå en fare, fordi køleskabet er ustabil, skal det fastgøres i overensstemmelse med anvisningerne.
- Hold ventilationsåbningerne i køleskabets kabinet eller den indbyggede konstruktion fri for forhindringer.
- Anvend ikke andre mekaniske instrumenter eller andre midler til at fremskynde afrimningen end dem, der er anbefalet af producenten.
- Du må under ingen omstændigheder åbne eller beskadige kølekredsløbet.
- Anvend ikke el-apparater i køleskabet, undtagen hvis producenten anbefaler disse el-apparater hertil.



**Fare for kvæstelser**

- Du må ikke anvende eller opbevare brændbare materialer i eller i nærheden af dette køleskab.
- Du må ikke anbringe genstande på eller mod dette køleskab.
- Du må ikke ændre noget på dette køleskab.

**VIGTIGT! Fare for beskadigelse**

- Sammenlign spændingsoplysningerne på mærkepladen med energiforsyningen, der er til rådighed.
- Stil ikke køleskabet i nærheden af varmekilder (varmeapparater, direkte sollys, gasovne osv.).
- Hold altid kondensationsafløbet rent.
- Anvend ikke en højtryksrenser med vand i nærheden af ventilationsgitterene ved rengøringen af køretøjet.
- Køleskabet må ikke udsættes for regn.

### 3 Korrekt brug

Køleskabet er egnet til:

- Montering i campingvogne og autocampere
- Køling, dybfrysning og opbevaring af mad

Køleskabet er ikke egnet til:

- Opbevaring af medicin
- Opbevaring af korrosive stoffer eller stoffer, som indeholder opløsningsmidler
- Lynnedfrysning af mad

Køleskabet er beregnet til indbygning i et møbelstykke eller en monteringsniche.

Dette køleskab er ikke beregnet til at blive anvendt i et almindeligt køkken.

Frostrummet er egnet opbevaring af allerede frosne madvarer, opbevaring eller fremstilling af is og isterninger. Den er ikke egnet til at fryse madvarer, der hidtil ikke har været frosset.

## 4 Montering af køleskabet



### **FORSIGTIG! Sundhedsfare**

For at undgå en fare, fordi apparatet er ustabil, skal det fastgøres i overensstemmelse med anvisningerne.



### **FORSIGTIG! Fare for kvæstelser**

Apparatet har skarpe kanter. Bær handsker under installationen.



### **BEMÆRK**

Hvis kompressorkøleskabet erstatter et absorptionskøleskab, skal du kontrollere, at de udvendige ventilationsgitre er helt lukkede, ellers er der fare for, at kompressoren ikke kører ved lave omgivelsestemperaturer (~under 0 °C).



Du kan finde anvisningerne til skift af dekorationspladen og døranslaget online på:

[documents.dometic.com/?object\\_id=81907](https://documents.dometic.com/?object_id=81907)

### 4.1 Valg af installationsstedet



### **VIGTIGT! Fare for beskadigelse**

- Køleskabet må ikke installeres bagest i autocampere med døren i kørselsretningen.
- Lad apparatet stå i en lodret position i mindst 3 timer, før du starter det første gang.

Vær opmærksom på følgende henvisninger ved montering af køleskabet:

- Kontrollér, at gulvet er fast og vandret.  
Parkér til dette formål køretøjet vandret.
- Køleskabet skal installeres, så:
  - det er nemt at udføre servicearbejde
  - det er nemt at montere og afmontere
  - det er nemt at fjerne fra køretøjet
- I campingvogne kan der monteres en indbygningsenhed med døren vendt mod kørselsretningen, så længe den monteres ved siden af skydedøren og bag passagersædet.

- Køleskabet skal indbygges i en niche, så det står sikkert, når køretøjet er i bevægelse. Notér i denne forbindelse målene i fig. **1**, side 3 og fig. **3**, side 4. Notér følgende udskæringsmål (fig. **2**, side 4):

	RCD 10.ES, RCD 10.5ET	RCD 10.XES, RCD 10.5XET
Køleskabets højde ( <b>A</b> )	1283 mm	1283 mm
Køleskabets bredde ( <b>B</b> )	523 mm	523 mm
Køleskabets dybde ( <b>C</b> ) (uden styreknappen på 5 mm)	550 mm	605 mm
Udskæringens højde ( <b>H</b> )	1290 mm	1290 mm
Udskæringens bredde ( <b>W</b> )	528 mm	528 mm
Udskæringens dybde ( <b>D</b> )	568 mm	623 mm

- Køleskabet skal monteres i med en minimumsafstand på 5 mm fra gulvet for at sikre, at døren kan åbnes korrekt (fig. **3**, side 4).
  - Kontrollér, at ingen gulvtæpper forstyrrer, at døren kan bevæges frit.
  - Undgå at anbringe køleskabet direkte på gulvet.

## 4.2 Sådan installeres kondensfløbet

Der kan dannes kondensvand i køleskabet, hvis døren åbnes tit, madvarer opbevares ukorrekt, eller madvarer er for varme, når de lægges ind. Kondensvand skal aftappes med en konstant hældning.

Montér kondensvandsafløbet på følgende måde:

- Før kondensvandsslangen fra køleskabet gennem en åbning i gulvet, som fører udenfor.

## 4.3 Tilslutning af strømforsyningen



Den elektriske strømforsyning skal tilsluttes af en kvalificeret elektriker, som har dokumenterede færdigheder og viden med hensyn til konstruktion og drift af elektrisk udstyr og elektriske installationer og har gennemgået sikkerhedsuddannelse til at identificere og undgå de implicerede farer.

**VIGTIGT! Fare for beskadigelse**

- For at undgå spændingstab og derfor et fald i ydeevne skal kablet holdes så kort som muligt og bør ikke afbrydes, hvis det er muligt. Undgå af denne grund ekstra kontakter, stik eller fordelerdåser.
- Kontrollér før tilslutningen, om driftsspændingen og batterispændingen stemmer overens (se typeskilt).
- Kontrollér, at polerne vender korrekt, når 12 V===-strømforsyningen tilsluttes.

1. Bestem kablets nødvendige tværsnit afhængigt af kabellængden iht. fig. **4**, side 5.
2. Tilslut kablerne til køleskabets AMP-stik (fig. **5**, side 5).
3. Tilslut de andre ender af kablerne til 12 V===-strømforsyningen:
  - rd (rød): med en sikring (10 A) anbragt på den positive (+) pol
  - bk (sort): til den negative (-) pol

#### 4.4 Fastgørelse af køleskabet

**VIGTIGT! Fare for beskadigelse**

Skru altid gennem de pågældende bøsninger, da indskummede komponenter som f.eks. ledninger kan blive beskadiget.

**BEMÆRK**

- Fastgør sidevæggene eller de anbragte lister, så skruerne selv sidder fast ved forøget belastning (under kørslen).
- Køleskabet er beregnet til at leveret en reguleret luftstrøm. Det anbefales ikke, at der skabes ekstra plads mellem køleskabet og nichens vægge.

1. Flyt køleskabet til dets endelige plads med frontflange siddende tæt mod udkæringsfronten.
2. Skru skruerne (fig. **6**, side 6) gennem kunststofbøsningerne i køleskabets sidevægge og videre ind i nichevæggen.
3. Sæt afdækningskapperne på skruenhovederne.

## 5 Bortskaffelse



### VIGTIGT!

Køleapparatets isolering indeholder brændbar cyklopentan og kræver specielle bortskaffelsesprocedurer. Aflever køleapparatet på genbrugsstationen ved afslutningen af dets levetid.



- ▶ Bortskaf så vidt muligt emballagemateriale sammen med det tilsvarende genbrugsaffald.
- ▶ Kontakt en lokal genbrugsstation eller din faghandel for at få de pågældende forskrifter om, hvordan du bortskaffer produktet i overensstemmelse med disse gældende forskrifter for bortskaffelse.

### Genbrug af produkter med batterier, genopladelige batterier og lyskilder




- ▶ Fjern alle batterier, genopladelige batterier og lyskilder, før produktet genbruges.
- ▶ Aflever defekte genopladelige batterier og brugte batterier hos forhandleren eller på et indsamlingssted.
- ▶ Genopladelige og ikke-genopladelige batterier samt lyskilder må ikke bortskaffes sammen med husholdningsaffaldet.
- ▶ Hvis du vil bortskaffe produktet endegyldigt, skal du kontakte den nærmeste genbrugsstation eller din faghandel for at få de pågældende forskrifter om bortskaffelse.
- ▶ Produktet kan bortskaffes uden gebyr.

## 6 Tekniske data

For den aktuelle EU-overensstemmelseserklæring for dit apparat bedes du se den pågældende produktside på [dometic.com](http://dometic.com) eller kontakte producenten direkte (se [dometic.com/dealer](http://dometic.com/dealer)).

Dette apparat opfylder FN ECE R10.

	<b>RCD 10.5ES, RCD 10.5ET</b>	<b>RCD 10.5XES, RCD 10.5XET</b>
Indhold		
Bruttoindhold	176 l	200 l
Køleboks	140 l	159 l
Rum til opbevaring af frostvarer	35,7 l	40,6 l
Tilslutningsspænding	12 V $\overline{=}$	12 V $\overline{=}$
Gennemsnitlig strømforsyning	75 W	75 W
Energiforbrug PERFORMANCE-modus	0,698 kWh/24 h 58,1 Ah/24 h	0,754 kWh/24 h 62,6 Ah/24 h
Klimaklasse	N, ST	N, ST
Kølemiddel	R600a	R600a
Kølemiddelmængde	34 g	34 g
CO <sub>2</sub> -ækvivalent	0,000102 t	0,000102 t
Globalt opvarmningspotentiale (GWP)	3	3
Lydemission	39 dB(A)	39 dB(A)
Mål H x B x D (i mm)	1283 x 523 x 550	1283 x 523 x 605
Vægt	38 kg	39,5 kg
Inspektion/certificering		

Läs och följ noggrant alla instruktioner, direktiv och varningar i den här produkthandboken för att säkerställa att du alltid installerar, använder och underhåller produkten på rätt sätt. Dessa instruktioner **MÅSTE** förvaras tillsammans med produkten.

Genom att använda produkten bekräftar du härmed att du noggrant har läst alla instruktioner, direktiv och varningar och att du förstår och är införstådd med att följa de villkor som anges här. Du är införstådd med att endast använda denna produkt i avsett syfte och i enlighet med instruktionerna, direktiven och varningarna som anges i denna produkthandbok samt i enlighet med alla gällande lagar och bestämmelser. Om du inte läser och följer instruktionerna och varningarna som anges här kan det leda till personskador på dig eller andra, på produkten eller annan egendom i närheten. Denna produkthandbok, inklusive instruktionerna, direktiven och varningarna samt relaterad information, kan ändras och uppdateras. För uppdaterad produktinformation, besök [documents.dometic.com](http://documents.dometic.com).

## Innehållsförteckning

1	Symbolförklaring . . . . .	79
2	Säkerhetsanvisningar . . . . .	80
3	Avsedd användning . . . . .	82
4	Installera kylskåpet . . . . .	82
5	Avfallshantering . . . . .	86
6	Tekniska data . . . . .	86

## 1 Symbolförklaring



### **VARNING!**

**Säkerhetsanvisning:** Anger en farlig situation som, om den inte kan undvikas, kan leda till döden eller allvarlig personskada.



### **AKTA!**

**Säkerhetsanvisning:** Anger en farlig situation som, om den inte kan undvikas, leder lindrig eller måttlig personskada.



### **OBSERVERA!**

Anger en situation som, om den inte kan undvikas, kan leda till materiell skada.



### **ANVISNING**

Kompletterande information om användning av produkten.

## 2 Säkerhetsanvisningar

### 2.1 Allmänna säkerhetsanvisningar



**WARNING! Om man underlåter att följa de här varningarna kan följden bli dödsfall eller allvarlig personskada.**

#### **Risk för dödsfall på grund av elektricitet**

- Kylskåpet får endast installeras och tas bort av personal som har utbildning för jobbet.
- Om kylskåpet uppvisar synliga skador får det inte användas.
- Reparationer på kylskåpet får endast utföras av behörigt fackfolk. Icke fackmässiga reparationer kan medföra allvarliga risker eller skador på kylskåpet.
- Om kylskåpets anslutningskabel skadas måste den, av säkerhetsskäl, bytas ut av tillverkaren, tillverkarens kundtjänst eller annan behörig person.
- Kontrollera att elsladden inte har fastnat eller skadats i samband med placering av kylskåpet.
- Koppla in enheten i uttag med garanterat korrekt anslutning när enheten behöver jordas.

#### **Brandrisk**

- Kylskåpet i kylkretsloppet är mycket lättantändligt och vid en läcka kan brännbara gaser ansamlas om apparaten är i ett litet utrymme.  
Vid skador på kylkretsen:
  - Håll öppna lågor och potentiella antändningskällor borta från kylskåpet.
  - Ventilera utrymmet väl.
  - Stäng av kylskåpet.

För kylskåp med R600a-köldmedium:

- I kylkretsen finns en liten mängd miljövänligt, men antändningsbart köldmedium. Det skadar inte ozonlagret och ökar inte växthuseffekten. Köldmedium som läcker kan antändas.
- Använd eller förvara inte kylskåpet i begränsade utrymmen utan luftflöde eller där luftflödet är svagt.
- Säkerställ att monteringsplatsen för kylskåpet är fritt från elkomponenter och ljuskällor som alstrar gnistor vid normal eller onormal drift (dvs. reläer eller säkringar).



**Explosionsrisk**

- Spraya inte med aerosoler i närheten av det här kylskåpet medan det är i drift.
- Förvara inga ämnen som kan explodera i kylskåpet, som t.ex. aerosolburkar med brännbar drivgas.

**Hälsorisk**

- Barn från åtta års ålder, personer med nedsatt fysisk, sensorisk eller mental förmåga, eller personer med bristande erfarenhet och kunskaper får använda den här kylan förutsatt att de hålls under uppsikt eller om de har fått anvisningar om hur man använder kylan på ett säkert sätt och känner till vilka risker som är förknippade med användningen.
- Barn i åldrarna tre till åtta år får lasta in eller ut varor i eller ur kylan.
- Rengöring och användarunderhåll får inte genomföras av barn utan uppsikt.
- Barn bör hållas under uppsikt, så att de inte leker med kylskåpet.

**Risk för att barn fastnar**

- Se till att hyllorna är monterade och säkrade så att barn inte kan låsa in sig i kylskåpet.
- Innan det gamla kylskåpet omhändertas:
  - Demontera lådan.
  - Låt hyllorna vara kvar i kylskåpet så att barn inte kan klättra in i skåpet.
  - Ta bort dörrarna.

**AKTA! Om man underlåter att följa de här försiktighetsåtgärderna kan följden bli lindrig eller måttlig personskada.****Hälsorisk**

- Sätt fast kylskåpet enligt installationsanvisningarna så att det inte uppstår risker till följd av instabilitet.
- Kontrollera att ventilationsöppningarna kring kylskåpet och i den inbyggda konstruktionen inte blockeras.
- Påskynda inte avfrostningsprocessen genom att använda mekaniska anordningar eller andra verktyg som tillverkaren inte rekommenderar.
- Kylkretsloppet får under inga omständigheter öppnas eller skadas.
- Använd inga elektriska apparater för arbeten inne i kylskåpet. Undantag: apparaterna rekommenderas för sådan användning av tillverkaren.

**Risk för personskada**

- Använd eller förvara inte brännbart material i eller nära kylskåpet.
- Placera inte objekt på eller mot det här kylskåpet.
- Modifiera inte detta kylskåp.

**OBSERVERA! Risk för skada**

- Kontrollera att spänningsuppgifterna på typskylten stämmer överens med elförsörjningen på plats.
- Ställ inte upp kylskåpet i närheten av värmekällor (värmeelement, starkt solljus, gasspisar osv.).
- Kondensatavloppet ska alltid vara rent.
- Använd inte högtryckstvätt nära ventilationsgallren.
- Kylskåpet måste skyddas mot regn.

### 3 Avsedd användning

Kylskåpet är avsett för:

- Installation i husvagnar och husbilar
- Kylning, djupfrysning och förvaring av livsmedel

Kylskåpet är inte avsett för:

- Förvaring av läkemedel
- Förvaring av frätande ämnen eller ämnen som innehåller lösningsmedel
- Snabbfrysning av livsmedel

Kylskåpet är avsett för montering i förvaringsskåp eller en monteringsnisch.

Det här kylskåpet är inte avsett att användas i hushållet.

Frysacket för djupfrysning är avsett för förvaring av livsmedel som frysts ned i förväg, förvaring eller tillagning av glass samt isbitar. Det är inte avsett för infrysning av livsmedel som tidigare inte varit fryst.

### 4 Installera kylskåpet

**AKTA! Hälsorisk**

Fastsätt apparaten enligt anvisningarna så att det inte uppstår risker till följd av instabilitet.



### **AKTA! Risk för personskada**

Apparaten har vassa kanter. Bär handskar vid installationen.



### **ANVISNING**

Om man byter ut ett absorptionskylskåp mot kompressorkylskåpet måste man kontrollera att de externa ventilationsgallren verkligen är stängda, annars finns det risk att kompressorn inte körs vid låga omgivningstemperaturer (~under 0 °C).



Anvisningar om hur dekorplattan och dörrens gångjärn byts finns på:  
[documents.dometic.com/?object\\_id=81907](https://documents.dometic.com/?object_id=81907)

## **4.1 Bestämma installationsplats**



### **OBSERVERA! Risk för skada**

- Kylskåpet får inte installeras längst bak i husbilar med dörren i körriktningen.
- Apparaten ska befinna sig i vertikalt läge i minst 3 timmar innan den startas för första gången.

Beakta följande anvisningar vid installationen av kylskåpet:

- Kontrollera att golvet är stabilt och jämnt.  
Av den här anledningen ska man placera fordonet i vågrätt läge.
- Installera kylskåpet så att det är lätt att komma:
  - åt för servicearbete och
  - enkel borttagning och montering
  - kan monteras av från fordonet
- I husbilar kan man installera en underkonstruktion om dörren pekar i körriktningen så länge som den installeras intill skjutdörren och bakom passagerarstolen.
- Kylskåpet måste installeras i en nisch så att det står säkert när fordonet rör sig. Ta hänsyn till måtten på bild **1**, sida 3 och bild **3**, sida 4 för det här syftet.  
Observera följande mått för urtag (bild **2**, sida 4):

	RCD 10.ES, RCD 10.5ET	RCD 10.XES, RCD 10.5XET
Kylskåpets höjd (A)	1283 mm	1283 mm
Kylskåpets bredd (B)	523 mm	523 mm
Kylskåpets djup (C) (utan styrvrede 5 mm)	550 mm	605 mm
Urtagshöjd (H)	1290 mm	1290 mm
Urtagsbredd (B)	528 mm	528 mm
Urtagsdjup (D)	568 mm	623 mm

- Kylskåpet måste installeras med ett minsta avstånd på 5 mm från golvet för att säkerställa att dörren kan öppnas ordentligt (bild **3**, sida 4).
  - Kontrollera att det inte finns heltäckningsmattor eller några andra mattor som gör att dörren inte kan röra sig fritt.
  - Placera inte kylskåpet direkt på golvet.

## 4.2 Installera kondensavloppet

När dörren öppnas ofta kan det hända att det bildas kondensvatten inuti kylskåpet. Kondensvatten kan även bildas på grund av livsmedel som förvaras på fel sätt eller om man förvara livsmedel vid för hög värme. Det måste alltid finnas en lutning så att kondensvattnet kan ledas ut.

Installera kondensavloppet på följande sätt:

- Dra kondensslangen från kylskåpet, genom en öppning i golvet som leder ut.

## 4.3 Anslut strömförsörjningen



Anslutningen av den elektriska strömförsörjningen måste utföras av en certifierad elektriker med belagda färdigheter och kunskaper om konstruktion och drift av elutrustningar samt installationer och som har genomgått en säkerhetsutbildning så att hen kan identifiera och undvika förknippade risker.

**OBSERVERA! Risk för skada**

- Använd kortast möjliga kabel och bryt om möjligt inte av den så att du inte drabbas av spännings- och effektförluster. Undvik därför ytterligare brytare, kontakter och fördelningsdosor.
- Kontrollera att driftspänningen och batterispänningen stämmer överens före anslutningen (se typskylten).
- Se till att batteriets poler är rätt anslutna när 12 V---strömförsörjningen ansluts.

1. Bestäm kabelarean så att den passar till kabellängden, se bild **4**, sida 5.
2. Anslut kablarna till kylskåpets AMP-kontakt (bild **5**, sida 5).
3. Anslut kablarnas andra ändar till 12 V---strömförsörjningen:
  - rd (röd): med ett säkringsskydd (10 A) anslutet till (+)-polen
  - bk (svart): till den negativa (-)-polen

#### 4.4 Fästa kylskåp

**OBSERVERA! Risk för skada**

Skruva alltid genom härför avsedda bussningar eftersom skummade komponenter, t.ex. kablar, annars risker att skadas.

**ANVISNING**

- Fäst sidoväggarna eller de monterade listerna så att skruvarna sitter fast även vid högre belastning (under körning).
- Kylskåpet är utformat för att tillföra ett reglerat luftflöde. Det rekommenderas att inte ha något extra utrymme mellan kylskåpet och urtagsväggarna.

1. Flytta kylskåpet till det slutgiltiga läget med den främre flänsens position tätt intill urtagets framsida.
2. Skruva fast skruvarna (bild **6**, sida 6) genom plastbussningarna i kylskåpets sidor och sedan i väggen.
3. Sätt dit skydden på skruvskallarna.

## 5 Avfallshantering



### OBSERVERA!

Kylapparatens isolering innehåller brännbart cyklopentan och det krävs särskilda rutiner för avfallshanteringen. När kylapparaten har uppnått slutet av livscykeln ska den lämnas till lämplig återvinningscentral.



- Lämna om möjligt förpackningsmaterialet till återvinning.
- Konsultera ett lokalt återvinningscenter eller en specialiserad återförsäljare för information om hur man bortkaffar produkten i enlighet med tillämpliga bortskaffningsförfordningar.

### Återvinning av produkter med batterier, laddningsbara batterier och ljuskällor




- Avlägsna alla batterier, laddningsbara batterier och ljuskällor innan produkten lämnas till återvinning.
- Lämna dina förbrukade eller defekta (laddningsbara) batterier till återförsäljaren eller till ett samlingsställe.
- Batterier, laddningsbara batterier och ljuskällor får inte kasseras med vanligt hushållsavfall.
- När produkten slutgiltigt tas ur bruk: Informera dig om gällande bestämmelser hos närmaste återvinningscentral eller hos återförsäljaren.
- Produkten kan kasseras utan avgift.

## 6 Tekniska data

Se respektive produktsida på [dometic.com](http://dometic.com) eller kontakta tillverkaren för aktuell EU-försäkran om överensstämmelse för din apparat (gå till [dometic.com/dealer](http://dometic.com/dealer)).

Den här apparaten uppfyller kraven i UN ECE R10.

	RCD 10.5ES, RCD10.5ET	RCD 10.5XES, RCD10.5XET
Volym		
Bruttovolym	176 l	200 l
Kylfack	140 l	159 l
Frysack	35,7 l	40,6 l
Anslutningsspänning	12 V <sup>===</sup>	12 V <sup>===</sup>

	<b>RCD 10.5ES, RCD10.5ET</b>	<b>RCD 10.5XES, RCD10.5XET</b>
Genomsnittlig ineffekt	75 W	75 W
Energiförbrukning PERFORMANCE-läge	0,698 kWh/24 h 58,1 Ah/24 h	0,754 kWh/24 h 62,6 Ah/24 h
Klimatklass	N, ST	N, ST
Köldmedium	R600a	R600a
mängden köldmedium	34 g	34 g
Motsvarande CO2	0,000102 t	0,000102 t
Global uppvärmningspotential (GWP)	3	3
Bulleremission	39 dB(A)	39 dB(A)
Mått H x W x D (i mm)	1283 x 523 x 550	1283 x 523 x 605
Vikt	38 kg	39,5 kg
Besiktning/certifiering		

Vennligst les disse instruksjonene nøye og følg alle anvisninger, retningslinjer og advarsler i denne produktveiledningen for å sikre at du installerer, bruker og vedlikeholder produktet ordentlig til enhver tid. Disse instruksjonene MÅ alltid følge med produktet.

Ved å bruke dette produktet bekrefter du at du har lest alle anvisninger, retningslinjer og advarsler grundig, og at du forstår og samtykker i å overholde vilkårene slik de er presentert her. Du godtar å bruke dette produktet kun til tiltenkt formål og bruksområder, og i samsvar med anvisningene, retningslinjene og advarslene slik de er presentert i denne produktveiledningen, så vel som i samsvar med alle gjeldende lovbestemmelser og forskrifter. Hvis anvisningene og advarslene som er presentert her, ikke blir lest og fulgt, kan det føre til personskader hos deg selv eller andre, skader på produktet eller skader på annen eiendom i nærheten. Denne produktveiledningen med sine anvisninger, retningslinjer og advarsler, samt relatert dokumentasjon, kan være underlagt endringer og oppdateringer. For oppdatert produktinformasjon, se [documents.dometic.com](http://documents.dometic.com).

## Innhold

1	Symbolforklaring . . . . .	88
2	Sikkerhetsinstruksjoner . . . . .	89
3	Forskriftsmessig bruk . . . . .	91
4	Montere kjøleskapet . . . . .	92
5	Avfallshåndtering . . . . .	95
6	Tekniske spesifikasjoner . . . . .	95

## 1 Symbolforklaring



### ADVARSEL!

**Sikkerhetsregel:** Kjennetegner en farlig situasjon som - dersom den ikke unngås - kan resultere i alvorlige personskader, eventuelt med døden til følge.



### FORSIKTIG!

**Sikkerhetsregel:** Kjennetegner en farlig situasjon som - dersom den ikke unngås - kan resultere i mindre til moderate personskader.



### PASS PÅ!

Kjennetegner en situasjon som - dersom den ikke unngås - kan resultere i materielle skader.



### MERK

Ytterligere informasjon om betjening av produktet.



## 2 Sikkerhetsinstruksjoner

### 2.1 Grunnleggende sikkerhet



**ADVARSEL! Manglende overholdelse av disse advarslene kan resultere i alvorlige personskader, eventuelt med døden til følge.**

#### Fare for elektrisk støt

- Montasje og demontering av kjøleskapet må kun utføres av kvalifiserte fagfolk.
- Kjøleskapet må ikke tas i bruk hvis det har synlige skader.
- Reparasjoner på dette kjøleskapet må kun utføres av fagfolk. Feil reparasjoner kan føre til betydelige farer hhv. skader på kjøleskapet.
- Hvis tilkoblingskabelen til dette kjøleskapet kommer til skade, må det skiftes ut av produsenten, produsentens kundeservice eller en annen kvalifisert person for å unngå farlige situasjoner.
- Ved posisjonering av kjøleskapet, sørg for at strømledningen ikke sitter fast eller er skadet.
- Plugg apparatet til kontakter som sikrer en ordentlig forbindelse, spesielt når apparatet trenger å jordes.

#### Brannfare

- Kjølemiddelet i kjølekretsløpet er lett antennelig og ved en eventuell lekkasje kan forbrenningsgasser dannes dersom apparatet står i et lite rom.

Ved skader på kjølemiddelkretsløpet:

- Hold åpne flammer og potensielle tennkilder unna kjøleskapet.
- Sørg for god ventilasjon i rommet.
- Slå av kjøleskapet.

For kjøleskap med R600a-kjølemiddel:

- Kjølemiddelkretsen inneholder en liten mengde miljøvennlig, men antennelig kjølemiddel. Det skader ikke ozonlaget, og øker ikke drivhuseffekten. Kjølemiddel som lekker ut, kan ta fyr.
- Ikke benytt eller oppbevar kjølemiddel i lukkede rom med null eller minimal luftgjennomstrømning.
- Hold installasjonsnisjen for kjøleskapet fritt for elektriske komponenter og belysning som under normal eller unormal drift produserer gnister eller lysbuer (dvs. releer eller sikringsbokser).

### **Ekspløsjonsfare**

- Ikke spray aerosol i nærheten av kjøleskapet når det er i bruk.
- Ikke oppbevar eksplosjonsfarlige stoffer som spraybokser med drivgass i kjøleskapet.

### **Helsefare**

- Dette kjøleskapet kan brukes av barn fra 8 år og oppover og personer med reduserte fysiske, sensoriske eller mentale evner eller som mangler erfaring og kunnskap, hvis de er under oppsyn eller har fått veiledning i hvordan kjøleskapet brukes på en forsvarlig måte og forstår hvilke farer det innebærer.
- Barn i alderen 3–8 år får lov til å laste inn og ut av kjøleskapet.
- Rengjøring og vedlikehold må ikke utføres av barn uten at de er under oppsikt.
- Barn skal være under tilsyn for å sikre at de ikke leker med kjøleskapet.

### **Fare for at barn blir innestengt**

- Sørg for at hyllene er montert og festet slik at barn ikke kan sperre seg selv inne i kjøleskapet.
- Før ditt gamle kjøleskap skal kastes:
  - Demonter skuffen.
  - La hyllene bli værende i kjøleskapet, slik at barn ikke kan gå inn i det.
  - Ta av dørene.



### **FORSIKTIG! Manglende overholdelse av disse forsiktighetsvarslene kan resultere i mindre til moderate personskader.**

#### **Helsefare**

- For å unngå farer som følge av en manglende stabilitet på kjøleskapet, må det festes i samsvar med installeringsinstruksene.
- Hold ventilasjonsåpningene, på kjøleskapet og i dets kabinett eller i den innebyggede rammen, frie for hindringer.
- Ikke bruk mekaniske gjenstander eller andre midler til å fremskynde avrimingsprosessen, med mindre de er anbefalt av produsenten.
- Kjølekretsløpet må ikke åpnes eller skades under noen omstendigheter.
- Ikke bruk elektriske apparater inne i kjøleskapet med mindre produsenten anbefaler slik bruk av slike apparatene.

**Fare for personskader**

- Brennbare materialer må ikke brukes eller oppbevares i eller i nærheten av kjøleskapet.
- Ikke plasser artikler på eller mot kjøleskapet.
- Kjøleskapet må ikke modifiseres.

**PASS PÅ! Fare for skader**

- Kontroller at spenningsspesifikasjonen på dataskiltet stemmer overens med den foreliggende strømforsyningen.
- Ikke sett kjølesystemet i nærheten av varmekilder (varmeelementer, direkte solstråler, gassovn, osv.).
- Kondensavløpet må holdes rent til enhver tid.
- Ikke bruk høytrykkspyler til å rengjøre kjøretøyet i området rundt luftegitteret.
- Kjøleskapet må ikke utsettes for regn.

### 3 Forskriftsmessig bruk

Kjøleskapet er egnet for:

- Montering i campingbiler og bobiler
- Kjøling, dypfrysing og oppbevaring av matvarer

Kjøleskapet er ikke egnet for:

- Oppbevaring av legemidler
- Oppbevaring av etsende stoffer eller stoffer som inneholder løsemidler
- Hurtigfrysing av matvarer

Kjøleskapet er ment for montering i et møbel eller en installasjonsnisje.

Dette kjøleskapet er ikke beregnet for husholdningsbruk.

Frysevarerommet er egnet for oppbevaring av allerede nedfrosset mat, samt oppbevaring eller laging av iskrem og isbiter. Det er ikke egnet til å fryse matvarer som hittil ikke har vært frosset.

## 4 Montere kjøleskapet



### **FORSIKTIG! Helsefare**

For å unngå farer ved mangler stabilitet, skal apparatet monteres i samsvar med instruksene.



### **FORSIKTIG! Fare for personskader**

Apparatet har skarpe kanter. Bruk hansker under monteringen.



### **MERK**

Hvis kompressorkjøleskapet erstatter et absorpsjonskjøleskap, må du forsikre deg om at de utvendige luftegitrene er helt lukket. Ellers er det fare for at kompressoren ikke kan drives ved lave omgivelsestemperaturer (under 0 °C).



Du finner instruksene for bytte av dekorplaten og dørhengselet på nett under:

[documents.dometic.com/?object\\_id=81907](https://documents.dometic.com/?object_id=81907)

### 4.1 Bestemme monteringssted



#### **PASS PÅ! Fare for skader**

- Kjøleskapet kan ikke installeres bak i bobiler med døren pekende i kjøreretning.
- La apparatet være i vertikal posisjon i minst 3 timer før du starter opp for første gang.

Følg ved montering av kjøleskapet følgende tips:

- Forsikre deg om at gulvet er solid og vannrett. Parker derfor kjøretøyet horisontalt.
- Kjøleskapet må installeres slik at det:
  - er lett tilgjengelig for servicearbeider
  - er lett å avinstallere og installere
  - enkelt kan fjernes fra kjøretøyet
- I campingbiler kan en underskapsenhet installeres med døren pekende i kjøreretningen, såfremt den installeres ved siden av skyvedøren og bak passasjerse- tet.

- Kjøleskapet må monteres i en nisje slik at det står sikkert når kjøretøyet bevegges. Vær oppmerksom på målene i fig. **1**, side 3 og fig. **3**, side 4 for dette formålet. Vær oppmerksom på følgende åpningsmål (fig. **2**, side 4):

	RCD 10.ES, RCD 10.5ET	RCD 10.XES, RCD 10.5XET
Kjøleskaphøyde ( <b>A</b> )	1283 mm	1283 mm
Kjøleskapbredde ( <b>B</b> )	523 mm	523 mm
Kjøleskapdybde ( <b>C</b> ) (unntatt kontrollknapp 5 mm)	550 mm	605 mm
Åpningshøyde ( <b>H</b> )	1290 mm	1290 mm
Åpningsbredde ( <b>W</b> )	528 mm	528 mm
Åpningsdybde ( <b>D</b> )	568 mm	623 mm

- Kjøleskapet må installeres med en minsteavstand på 5 mm fra gulvet for å sikre at døren kan åpnes ordentlig (fig. **3**, side 4).
  - Forsikre deg om at ingen tepper begrenser dørens bevegelsesfrihet.
  - Ikke plasser kjøleskapet direkte på gulvet.

## 4.2 Installere kondensvannutløp

Det kan oppstå kondens inne i kjøleskapet på grunn av hyppig døråpning, feillagret mat eller mat som legges inn når den er for varm. Kondensen må tømmes med en konstant skråstilling.

Installer kondensutløpet som følger:

- Før kondensslangen fra kjøleskapet gjennom en åpning i gulvet og ut av kjøretøyet.

## 4.3 Koble til spenningsforsyningen



Den elektriske strømforsyningen må opprettes av en kvalifisert fagelektriker som kan fremvise ferdigheter og kunnskaper knyttet til konstruksjon og drift av elektrisk utstyr og installasjoner, og har mottatt sikkerhetstrening for å kunne identifisere og unngå risikoer som er involvert.



### PASS PÅ! Fare for skader

- For å unngå spennings- og effekttap, bør kabelen holdes så kort som mulig og uten avbrudd. Unngå derfor ekstra brytere, kontakter eller fordelerbokser.
- Kontroller om driftsspenningen og batterispenningen stemmer før tilkoblingen (se typeskilt).
- Påse at polariteten er korrekt ved tilkobling av batteriet med en strømforsyning på 12 V $\overline{=}$ .

1. Påkrevet kabeltverrsnitt i henhold til kabellengden finner du på fig. **4**, side 5.
2. Koble kablene til AMP-kontakten på kjøleskapet (fig. **5**, side 5).
3. Koble de andre endene av kablene til strømforsyningen på 12 V $\overline{=}$ :
  - rd (rød): med sikring (10 A) montert på plusspolen (+)
  - bk (sort): til minuspolen (-)

## 4.4 Feste kjøleskap



### PASS PÅ! Fare for skader

Skrue alltid inn i gjengene som er tilrettelagt for dette, ellers kan innskummede komponenter som f.eks. ledninger komme til skade.



### MERK

- Fest sideveggene eller de påførte listene på en slik måte at skruene også sitter godt, også ved høy belastning (under kjøring).
- Kjøleskapet er konstruert for å by på en regulert luftstrøm. Det anbefales ikke å la det være noen ekstra plass mellom kjøleskapet og utsparingsveggen.

1. Sett kjøleskapet i sin endelige posisjon med frontflensen tett inntil fronten på åpningen.
2. Skru skruene (fig. **6**, side 6) inn gjennom plastbøssingene i sideveggene på kjøleskapet og videre inn i veggen.
3. Sett hettene på skruhodene.

## 5 Avfallshåndtering



### PASS PÅ!

Isolasjonen av kjøleapparatet inneholder antennelig cyklopentan og krever en spesiell bortskaffingsprosess. Lever kjøleenheten på slutten av sin levetid til egnet resirkuleringsstasjon.



- ▶ Lever emballasje til resirkulering så langt det er mulig.
- ▶ For å kaste produktet endelig ta kontakt med det lokale resirkuleringssenteret eller faghandler om hvordan du kan gjøre dette i overensstemmelse med gjeldende avfallshåndteringsforskrifter.

### Resirkulering av produkter med batterier, oppladbare batterier og lyskilder




- ▶ Fjern alle batterier, oppladbare batterier og lyskilder før resirkulering av produktet.
- ▶ Lever defekte eller brukte batterier enten til forhandleren eller på en oppsamlingsstasjon.
- ▶ Avhend ikke batterier, oppladbare batterier og lyskilder i husholdningsavfallet.
- ▶ Hvis du ønsker å avfallsbehandle produktet, må du rådføre deg med nærmeste gjenvinningsstasjon eller din faghandler om hvordan du kan gjøre dette i overensstemmelse med gjeldende deponeringsforskrifter.
- ▶ Produktet kan avhendes gratis.

## 6 Tekniske spesifikasjoner

For den gjeldende EU-samsvarserklæringen for din enhet, se den aktuelle produkt-siden på [dometic.com](http://dometic.com) eller ta kontakt med produsenten direkte (se [dometic.com/dealer](http://dometic.com/dealer)).

Apparatet er i samsvar med UN ECE R10.

	<b>RCD 10.5ES, RCD 10.5ET</b>	<b>RCD 10.5XES, RCD 10.5XET</b>
Innhold		
Bruttoinnhold	176 l	200 l
Kjølerom	140 l	159 l
Frysevarerom	35,7 l	40,6 l
Tilkoblingsspenning	12 V $\overline{=}$	12 V $\overline{=}$
Gjennomsnittlig strøminntak	75 W	75 W
Energiforbruk PERFORMANCE-modus	0,698 kWh/24 h 58,1 Ah/24 h	0,754 kWh/24 h 62,6 Ah/24 h
Klimaklasse	N, ST	N, ST
Kjølemiddel	R600a	R600a
Kjølemiddelmengde	34 g	34 g
CO <sub>2</sub> -ekvivalent	0,000102 t	0,000102 t
GWP-verdi	3	3
Støyutslipp	39 dB(A)	39 dB(A)
Mål H x B x D (i mm)	1283 x 523 x 550	1283 x 523 x 605
Vekt	38 kg	39,5 kg
Inspeksjon/sertifisering		



Lue nämä ohjeet huolellisesti ja noudata kaikkia tämän tuotteen käyttöohjeissa annettuja ohjeita, määräyksiä ja varoituksia. Näin varmistat, että tuotteen asennus, käyttö ja huolto sujuu aina oikein. Näiden ohjeiden TÄYTYY jäädä tuotteen yhteyteen.

Käyttämällä tuotetta vahvistat lukeneesi kaikki ohjeet, määräykset ja varoitukset huolellisesti ja että ymmärrät ja hyväksyt tässä annetut ehdot. Sitoudut käyttämään tuotetta ainoastaan sen käyttötarkoitukseen ja ilmoitetuissa käyttökohteissa ja noudattaen tässä tuotteen käyttöohjeessa annettuja ohjeita, määräyksiä ja varoituksia sekä voimassa olevia lakeja ja määräyksiä. Tässä annettujen ohjeiden ja varoitusten lukematta ja noudattamatta jättäminen voi johtaa omaan tai muiden loukkaantumiseen, tuotteen vaurioitumiseen tai muun ympärillä olevan omaisuuden vaurioitumiseen. Tähän tuotteen käyttöohjeeseen, ohjeisiin, määräyksiin ja varoituksiin sekä oheisdokumentteihin voidaan tehdä muutoksia ja niitä voidaan päivittää. Katso ajantasaiset tuotetiedot osoitteesta [documents.domestic.com](http://documents.domestic.com).

## Sisältö

1	Symbolien selitykset . . . . .	97
2	Turvallisuusohjeet . . . . .	98
3	Käyttötarkoitus. . . . .	100
4	Jääkaapin asennus . . . . .	101
5	Hävittäminen . . . . .	104
6	Tekniset tiedot. . . . .	104

## 1 Symbolien selitykset



### **VAROITUS!**

**Turvallisuusohjeet:** viittaavat vaaralliseen tilanteeseen, joka voi johtaa kuolemaan tai vakavaan loukkaantumiseen, jos ohjeita ei noudateta.



### **HUOMIO!**

**Turvallisuusohjeet:** viittaavat vaaralliseen tilanteeseen, joka voi johtaa lievään tai kohtalaiseen loukkaantumiseen, jos ohjeita ei noudateta.



### **HUOMAUTUS!**

viittaavat tilanteeseen, joka voi johtaa esinevahinkoon, jos ohjeita ei noudateta.



### **OHJE**

Tuotteen käyttöä koskevia lisätietoja.

## 2 Turvallisuusohjeet

### 2.1 Perusturvallisuus



**VAROITUS! Näiden varoitusten noudattamatta jättäminen voi johtaa kuolemaan tai vakavaan vammaan.**

#### Sähköiskun vaara

- Jääkaapin saavat asentaa ja irrottaa ainoastaan tehtävään pätevät henkilöt.
- Jääkaappia ei saa ottaa käyttöön, jos siinä on näkyviä vaurioita.
- Ainoastaan ammattilaiset saavat korjata tätä jääkaappia. Epäasianmukaisista korjauksista saattaa aiheutua huomattavia vaaroja tai vahinkoa jääkaapille.
- Jos tämän jääkaapin liitântäjohto vaurioituu, valmistajan tai valtuutetun asiakaspalvelun tai vastaavasti pätevän henkilön pitää vaihtaa se vaaran välttämiseksi.
- Kun sijoitat jääkaappia paikalleen, varmista, ettei virtajohto tartu kiinni mihinkään eikä vaurioidu.
- Liitä laite pistorasiaan, jolla liitântä on varmasti tukeva, etenkin jos laite täytyy maadoittaa.

#### Palovaara

- Jäähdytyskierron sisältämä kylmäaine on helposti syttyvää, ja jos sitä vuotaa, on olemassa vaara, että tilaan kertyy palavia kaasuja, jos laite on pienessä tilassa.  
Jos jäähdytyskierrossa on mikä tahansa vaurio:
  - Pidä avoliekit ja mahdolliset sytytyslähteet loitolla jääkaapista.
  - Tuuleta tila huolellisesti.
  - Kytke jääkaappi pois päältä.

Jos jääkaapissa on R600a-kylmäainetta:

- Jäähdytyskierto sisältää pienen määrän ympäristöystävällistä mutta syttyvää kylmäainetta. Se ei vahingoita otsonikerrosta eikä edistä kasvihuoneilmiötä. Vuotava kylmäaine voi syttyä.
- Älä käytä äläkä säilytä jääkaappia suljetussa tilassa, jossa ilma ei liiku lainkaan tai liikkuu vain minimaalisen vähän.
- Varmista, että jääkaapin asennussyvennyksessä ei ole sähkökomponentteja eikä valaisimia, jotka normaalissa tai normaalista poikkeavassa käytössä synnyttävät kipinöitä tai valokaaria (esim. releet tai sulakerasiat).

### Räjähdyksvaara

- Älä suihkuta aerosoleja tämän jääkaapin läheisyydessä, kun laite on käytössä.
- Älä säilytä jääkaapissa räjähdysalttiita esineitä kuten aerosolipurkkeja, joissa on ponneainetta.

### Terveysvaara

- Tätä jääkaappia voivat käyttää valvonnan alaisuudessa myös vähintään 8-vuotiaat lapset samoin kuin henkilöt, joiden fyysiset, aistinvaraiset tai henkiset kyvyt ovat rajoittuneet tai joilta puuttuu laitteen käytön vaatima kokemus tai tietämys, mikäli edellä mainittuja henkilöitä on opastettu käyttämään jääkaappia turvallisesti ja mikäli henkilöt ymmärtävät laitteen käyttöön liittyvät riskit.
- 3–8-vuotiaat lapset saavat täyttää ja tyhjentää jääkaappia.
- Lapset eivät saa puhdistaa laitetta eivätkä ryhtyä käyttäjän suoritettavaksi tarkoitettuihin huoltotoihin ilman valvontaa.
- Lapsia tulee valvoa sen varmistamiseksi, etteivät he leiki jääkaapilla.

### Lasten loukkuun jäämisen vaara

- Varmista, että hyllyt on asennettu ja varmistettu niin, etteivät lapset voi lukita itseään jääkaapin sisälle.
- Ennen kuin hävität vanhan jääkaapin:
  - Irrota laatikko.
  - Jätä hyllyt jääkaappiin, jotta lapset eivät voi kiivetä kaapin sisälle.
  - Nosta ovet pois paikaltaan.



### **HUOMIO! Näiden varoitusten noudattamatta jättäminen voi johtaa vähäiseen tai kohtalaiseen vammaan.**

#### Terveysvaara

- Jääkaappi on kiinnitettävä asennusohjeen mukaisesti, jotta jääkaapin epävakaudesta aiheutuva vaara voidaan välttää.
- Pidä jääkaapissa ja sen syvennyksessä tai upotuskalusteessa olevat tuuletusaukot vapaina esteistä.
- Älä käytä muita kuin valmistajan suosittelemia välineitä tai muita keinoja sulatuksen nopeuttamiseen.
- Älä missään tapauksessa avaa tai vaurioita jäähdytyskiertoa.
- Älä käytä jääkaapin sisällä sähkölaitteita, ellei valmistaja suosittele näitä sähkölaitteita tähän tarkoitukseen.

**Loukkaantumisvaara**

- Älä käytä tai säilytä syttyviä materiaaleja tässä jääkaapissa tai sen lähellä.
- Älä aseta mitään jääkaapin päälle tai sitä vasten.
- Älä tee tähän jääkaappiin mitään muutoksia.

**HUOMAUTUS!****Vahingonvaara**

- Vertaa tietolevyn jännitetietoja käytettävissä olevaan energiansyöttöön.
- Älä altista jääkaappia lämpölähteille (lämmitys, suora auringonpaiste, kaasu-uunit jne.).
- Huolehdi siitä, että kondenssiveden tyhjennysaukko pysyy aina puhtaana.
- Älä puhdistajoneuvon tuuletusritilän ympäristöä korkeapainepesurilla.
- Jääkaappia ei saa asettaa alttiiksi sateelle.

### 3 Käyttötarkoitus

Jääkaappi soveltuu seuraaviin:

- asennettavaksi asuntovaunuihin ja matkailuautoihin
- elintarvikkeiden jäähdyttämiseen, pakastamiseen ja säilyttämiseen

Jääkaappi ei sovellu seuraaviin:

- lääkkeiden säilyttämiseen
- syövyttävien aineiden tai liuottimia sisältävien aineiden säilyttämiseen
- elintarvikkeiden nopeaan pakastamiseen

Jääkaappi on tarkoitettu asennettavaksi kaapistoon tai asennussyvennykseen.

Tätä jääkaappia ei ole tarkoitettu kotikäyttöön.

Pakastelokerot sopivat pakastettujen elintarvikkeiden säilyttämiseen, jäätelön säilyttämiseen ja valmistamiseen sekä jääkuutioiden valmistamiseen. Laite ei sovellu aiemmin sulatettujen elintarvikkeiden pakastamiseen.

## 4 Jääkaapin asennus



### HUOMIO! Terveysriski

Jotta laitteen epävakaus ei aiheuttaisi vaaraa, se on kiinnitettävä ohjeiden mukaisesti.



### HUOMIO! Loukkaantumisvaara

Laitteessa on teräviä reunoja. Käytä käsineitä, kun teet asennustöitä.



### OHJE

Jos absorptioyksikön tilalla on kompressorijääkaappi, on varmistettava, että ulkopuolen tuuletusritilät ovat kokonaan kiinni; muuten kompressori ei välttämättä käy, jos ulkolämpötila on alhainen (~alle 0 °C).



Ohjeet koristelevyn ja oven kätsyyden vaihtamiseen saat verkko-osoitteesta

[documents.dometic.com/?object\\_id=81907](https://documents.dometic.com/?object_id=81907)

### 4.1 Asennuspaikan valitseminen



### HUOMAUTUS! Vahingonvaara

- Jääkaappia ei saa asentaa asuntovaunun takaosaan ovi ajosuuntaan päin.
- Anna laitteen olla pystyasennossa vähintään 3 tuntia ennen kuin käynnistät sen ensimmäisen kerran.

Noudata jääkaappia asentaessasi seuraavia ohjeita:

- Varmista, että lattia on luja ja suorassa.  
Pysäköi ajoneuvo tätä varten vaakasuoraan.
- Jääkaappi on asennettava siten, että:
  - laite on helposti saavutettavissa huoltotöitä varten
  - laite on helppo irrottaa ja asentaa paikalleen
  - laite on helppo poistaa ajoneuvosta
- Matkailuautoissa tason alle tuleva yksikkö voidaan asentaa niin, että ovi osoittaa kulkusuuntaan, kunhan yksikkö asennetaan liukuoven viereen ja apuohjaajan istuimen taakse.

- Jääkaappi täytyy asentaa syvennykseen, jotta se pysyy tukevasti paikallaan ajoneuvon liikkeessä. Huomaa tämän osalta kohdissa kuva **1**, sivulla 3 ja kuva **3**, sivulla 4 esitetyt mitat.

Huomaa seuraava syvennyksen mitta (kuva **2**, sivulla 4):

	RCD 10.ES, RCD 10.5ET	RCD 10.XES, RCD 10.5XET
Jääkaapin korkeus <b>(A)</b>	1283 mm	1283 mm
Jääkaapin leveys <b>(B)</b>	523 mm	523 mm
Jääkaapin syvyys <b>(C)</b> (poislukien ohjausnuppi 5 mm)	550 mm	605 mm
Syvennyksen korkeus <b>(H)</b>	1290 mm	1290 mm
Syvennyksen leveys <b>(W)</b>	528 mm	528 mm
Syvennyksen syvyys <b>(D)</b>	568 mm	623 mm

- Jääkaappi täytyy asentaa niin, että etäisyys lattiaan on vähintään 5 mm, jotta oven saa varmasti avattua kunnolla (kuva **3**, sivulla 4).
  - Varmista, että matto ei haittaa oven liikettä.
  - Vältä jääkaapin asettamista suoraan lattialle.

## 4.2 Kondenssiveden poistoletkun asentaminen

Kondenssivettä voi muodostua jääkaapin sisälle, jos jääkaapin ovi avataan usein tai jos elintarvikkeet sijoitetaan väärin tai liian lämpiminä jääkaappiin. Kondenssiveden poistoletku on asennettava siten, että letku kulkee jatkuvasti laskusuunnassa.

Asenna kondenssiveden poistoletku seuraavasti:

- Vedä kondenssiveden poistoletku jääkaapista lattia-aukon läpi ulos.

## 4.3 Jännitteensyötön liittäminen



Sähköliittämisen saa tehdä vain pätevä sähköasentaja, jolla on sähkölaitteiden ja -asennusten rakentamiseen ja käyttöön tarvittavat tiedot ja taidot ja joka on käynyt turvallisuuskoulutuksen ja osaa siten tunnistaa ja välttää mahdolliset vaarat.



### HUOMAUTUS! Vahingonvaara

- Jännite- ja siten tehohäviöiden välttämiseksi liitäntäjohdon pitäisi olla mahdollisimman lyhyt, ja jos mahdollista, siihen ei saa muodostaa katkoja. Vältä siis lisäkytkimiä, pistokkeita tai jakorasioita.
- Tarkasta ennen liittämistä, vastaavatko käyttöjännite ja akkujännite toisiaan (ks. tyyppikilpi).
- Varmista oikeanapaisuus, kun liität 12 V $\text{---}$ -tehonsyötön.

1. Määritä tarvittavan kaapelipituuden vaatima kaapelin vähimmäispoikkipinta-ala kohdan kuva **4**, sivulla 5 perusteella.
2. Yhdistä johdot jääkaapin AMP-liittimeen (kuva **5**, sivulla 5).
3. Yhdistä johtojen toiset päät 12 V $\text{---}$ -tehonsyöttöön:
  - rd (punainen): sulakesuojauksella (10 A) liitettyä positiiviseen (+) napaan
  - bk (musta): negatiiviseen (-) napaan

## 4.4 Jääkaapin kiinnittäminen



### HUOMAUTUS! Vahingonvaara

Kierrä ruuvit aina tarkoitusta varattujen holkkien läpi. Muutoin vaahdon ympäröimät rakenneosat kuten johdot voivat vaurioitua.



### OHJE

- Kiinnitä sivuseinät tai paikoilleen asetetut listat siten, että ruuvit pysyvät tiukalla kovassakin kuormituksessa (ajon aikana).
- Jääkaappi on suunniteltu siten, että se tuottaa säädellyn ilmavirtauksen. Jääkaapin ja syvennyksen seinien väliin ei suositella jättämään tilaa.

1. Siirrä jääkaappi lopulliseen paikkaansa niin, että etulaippa istuu tiiviisti syvennyksen etureunaa vasten.
2. Kierrä ruuvit (kuva **6**, sivulla 6) jääkaapin sivuilla olevien muoviholkkien läpi ja edelleen seinään.
3. Asenna peitekannet ruuvien kantoihin.

## 5 Hävittäminen



### HUOMAUTUS!

Kylmälaitteen eristeet sisältävät syttyvää syklopentaania, joten ne vaativat erityisen hävittämismenetelmän. Kun kylmälaite on tullut käyttöikänsä päähän, toimita se asianmukaiseen kierrätyspisteeseen.



- Vie pakkausmateriaalit mahdollisuuksien mukaan niille tarkoitettuihin kierrätysjäteastioihin.
- Tiedustele lähimmästä kierrätyskeskuksesta tai erikoisliikkeestä tuotetta koskevia yksityiskohtaisia hävittämistä koskevia ohjeita.

### Paristoja, ladattavia akkuparistoja ja valonlähteitä sisältävien tuotteiden kierrätys



- Poista paristot, ladattavat akkuparistot ja valonlähteet ennen tuotteen kierrätystä.
- Toimita vialliset akut tai käytetyt paristot kauppiaille tai keräyspisteeseen.
- Paristot, ladattavat akkuparistot ja valonlähteet eivät kuulu kotitalousjätteen.
- Jos haluat poistaa tuotteen lopullisesti käytöstä, tiedustele yksityiskohtaisia hävittämistä koskevia ohjeita ja määräyksiä lähimmästä kierrätyskeskuksesta tai erikoisliikkeestä.
- Tuotteen voi hävittää veloituksetta.


## 6 Tekniset tiedot

Laitteesi ajan tasalla olevan EU-vaatimustenmukaisuusvakuutuksen löydät vastaavalta tuotesivulta osoitteesta [dometic.com](http://dometic.com). Voit myös pyytää asiakirjan suoraan valmistajalta (katso [dometic.com/dealer](http://dometic.com/dealer)).

Laite on säädöksen UN ECE R10 mukainen.

	RCD 10.5ES, RCD10.5ET	RCD 10.5XES, RCD10.5XET
Tilavuus		
Bruttotilavuus	176 l	200 l
Jääkaappiosasto	140 l	159 l
Pakastelokero	35,7 l	40,6 l
Liitäntäjännite	12 V <sup>===</sup>	12 V <sup>===</sup>



	<b>RCD 10.5ES, RCD10.5ET</b>	<b>RCD 10.5XES, RCD10.5XET</b>
Keskimääräinen tuloteho	75 W	75 W
Energiankulutus PERFORMANCE-tila	0,698 kWh/24 h 58,1 Ah/24 h	0,754 kWh/24 h 62,6 Ah/24 h
Ilmastoluokka	N, ST	N, ST
Kylmäaine	R600a	R600a
Kylmäaineen määrä	34 g	34 g
CO2-ekvivalentti	0,000102 t	0,000102 t
Vaikutus ilmaston lämpenemiseen (GWP)	3	3
Melupäästöt	39 dB(A)	39 dB(A)
Mitat K x L x S (mm)	1283 x 523 x 550	1283 x 523 x 605
Paino	38 kg	39,5 kg
Tarkastus/sertifikaatti		

Пожалуйста, внимательно прочтите и соблюдайте все указания, рекомендации и предупреждения, содержащиеся в этом руководстве по использованию изделия, чтобы гарантировать правильную установку, использование и обслуживание изделия. Эта инструкция ДОПЖНА оставаться вместе с этим изделием.

Используя изделие, вы тем самым подтверждаете, что внимательно прочитали все указания, рекомендации и предупреждения, а также, что вы понимаете и соглашаетесь соблюдать положения и условия, изложенные в настоящем документе. Вы соглашаетесь использовать это изделие только по прямому назначению и в соответствии с указаниями, рекомендациями и предупреждениями, изложенными в данном руководстве по использованию изделия, а также в соответствии со всеми применимыми законами и правилами. Несоблюдение указаний и предупреждений, изложенных в данном документе может привести к травмам вас и других лиц, повреждению вашего изделия или повреждению другого имущества, находящегося поблизости. Данное руководство по использованию изделия, включая указания, рекомендации и предупреждения, а также сопутствующую документацию, может подвергаться изменениям и обновлениям. Актуальную информацию о продукте можно найти на сайте [documents.dometic.com](http://documents.dometic.com).

## Содержание

1	Пояснение к символам . . . . .	106
2	Указания по технике безопасности . . . . .	107
3	Использование по назначению . . . . .	109
4	Монтаж холодильника . . . . .	110
5	Утилизация . . . . .	114
6	Технические характеристики . . . . .	114

## 1 Пояснение к символам



### ПРЕДУПРЕЖДЕНИЕ!

**Указание по технике безопасности:** Указывает на опасную ситуацию, которая, если ее не избежать, может привести к смерти или серьезным травмам.



### ОСТОРОЖНО!

**Указание по технике безопасности:** Указывает на опасную ситуацию, которая, если ее не избежать, может привести к травмам легкой или средней степени тяжести.



### ВНИМАНИЕ!

Указывает на ситуацию, которая, если ее не избежать, может привести к материальному ущербу.



### УКАЗАНИЕ

Дополнительная информация о работе с устройством.

## 2 Указания по технике безопасности

### 2.1 Основные указания по технике безопасности



**ПРЕДУПРЕЖДЕНИЕ! Несоблюдение этих предупреждений может привести к смерти или серьезной травме.**

#### **Опасность поражения электрическим током**

- Монтаж и демонтаж холодильника могут выполняться только квалифицированным персоналом.
- Запрещается использовать холодильник, если он имеет видимые повреждения.
- Ремонт холодильника разрешается выполнять только специалистам. Неправильно выполненный ремонт может привести к серьезной опасности или повреждению холодильника.
- Чтобы не допустить возникновения опасных ситуаций, заменить поврежденный питающий кабель у изготовителя, в отделе обслуживания клиентов или у специалиста с аналогичной квалификацией.
- При установке холодильника шнур питания не должен быть зажат или поврежден.
- Подключайте устройство к розеткам, которые обеспечивают правильное подключение, особенно когда устройство необходимо заземлить.

#### **Опасность возникновения пожара**

- Хладагент в холодильном контуре легко воспламеняется, и в случае утечки могут образоваться горючие газы, если прибор расположен в небольшом помещении.  
В случае повреждения контура хладагента:
  - Располагайте холодильник вдали от открытого огня и потенциальных источников возгорания.
  - Хорошо вентилируйте помещение.
  - Выключите холодильник.

Для холодильников с хладагентом R600a:

- Холодильный контур содержит небольшое количество экологически чистого, но легковоспламеняющегося хладагента. Он не повреждает озоновый слой и не увеличивает парниковый эффект. Любая утечка хладагента может привести к возгоранию.
- Не используйте и не храните холодильник в замкнутых пространствах с отсутствием или минимальным потоком воздуха.

- В монтажном углублении холодильника не должно быть никаких электрических компонентов и светильников, которые при нормальной или аномальной работе вызывают искры или дуги (например, реле или блоки предохранителей).

### **Опасность взрыва**

- Не распыляйте аэрозоли вблизи холодильника, когда он работает.
- Не храните в холодильнике взрывоопасные вещества, например, аэрозольные баллоны с горючим газами-вытеснителями.

### **Опасность для здоровья**

- Этот холодильник может использоваться детьми с 8-ми лет и старше, а также лицами с ограниченными физическими, сенсорными и умственными возможностями или при недостатке необходимого опыта и знаний только под присмотром или после прохождения инструктажа по безопасному использованию холодильника, если они понимают опасности, которые при этом могут возникнуть.
- Детям в возрасте от 3 до 8 лет разрешается загружать и разгружать холодильник.
- Запрещается выполнять очистку и пользовательское техническое обслуживание детям без присмотра.
- Следите за тем, чтобы дети не играли с холодильником.

### **Опасность попадания ребенка внутрь устройства**

- Убедитесь, что полки холодильника установлены и зафиксированы, чтобы дети не могли в нем запереться.
- Перед утилизацией старого холодильника:
  - Демонтируйте ящики.
  - Оставьте полки в холодильнике, чтобы в него не могли войти дети.
  - Снимите дверцы.



**ОСТОРОЖНО! Несоблюдение этих предостережений может привести к травме легкой или средней степени тяжести.**

### **Опасность для здоровья**

- Во избежание опасности из-за неустойчивости холодильника его необходимо закрепить в соответствии с инструкциями по монтажу.
- Следите за тем, чтобы вентиляционные отверстия на холодильнике и в его корпусе или в конструкции, в которую он встроен, не были заблокированы.

- Не используйте механические устройства или другие средства для ускорения процесса размораживания, кроме тех, которые рекомендуются производителем.
- Категорически запрещается вскрывать или повреждать холодильный контур.
- Не используйте электроприборы внутри холодильника, за исключением случаев, когда эти приборы рекомендованы для этого изготовителем.

#### **Опасность получения травм**

- Не используйте и не храните легковоспламеняющиеся материалы в холодильнике или рядом с ним.
- Не размещайте какие-либо предметы на холодильнике или вплотную к нему.
- Не вносите изменений в конструкцию холодильника.



#### **ВНИМАНИЕ! Риск повреждения**

- Убедитесь, что значения напряжения, указанные на заводской табличке, соответствуют характеристикам имеющегося источника питания.
- Не устанавливайте холодильник вблизи источников тепла (радиаторов отопления, прямых солнечных лучей, газовых печей и т. п.).
- Всегда содержите в чистоте патрубков слива конденсата.
- Не используйте для очистки транспортного средства в области вентиляционной решетки водяные очистители высокого давления.
- Не допускайте попадания *дождя* на холодильник.

## **3 Использование по назначению**

Холодильник предназначен для:

- установки в автофургонах и жилых транспортных средствах
- охлаждения, заморозки и хранения продуктов питания

Холодильник не предназначен для:

- хранения лекарственных средств
- хранения агрессивных веществ или веществ, которые содержат растворители
- быстрой заморозки продуктов питания

Холодильник предназначен для установки в шкафу или в монтажной нише.

Этот холодильник не предназначен для использования в домашнем хозяйстве.

Камера для замороженных продуктов пригодна для хранения предварительно замороженных продуктов, хранения или приготовления мороженого и приготовления кубиков льда. Она не пригодна для замораживания ранее размороженной еды.

Это изделие подходит только для использования по назначению и применения в соответствии с данной инструкцией.

В данной инструкции содержится информация, необходимая для правильного монтажа и/или эксплуатации изделия. Неправильный монтаж и/или ненадлежащая эксплуатация или техническое обслуживание приводят к неудовлетворительной работе и возможному отказу.

Изготовитель не несет ответственности за какие-либо травмы или повреждение продукта в результате следующих причин:

- Неправильная сборка или подключение, включая повышенное напряжение
- Неправильное техническое обслуживание или использование запасных частей, отличных от оригинальных запасных частей, предоставленных изготовителем
- Изменения в продукте, выполненные без однозначного разрешения изготовителя
- Использование в целях, отличных от указанных в данной инструкции

Компания Dometic оставляет за собой право изменять внешний вид и технические характеристики продукта.

## 4 Монтаж холодильника



### **ОСТОРОЖНО! Опасность для здоровья**

Во избежание опасности из-за неустойчивости устройства оно должно быть закреплено в соответствии с инструкциями.



### **ОСТОРОЖНО! Опасность получения травм**

Устройство имеет острые края. Во время монтажа надевайте перчатки.



### УКАЗАНИЕ

Если компрессорный холодильник заменяет абсорбционный холодильник, вы должны убедиться в том, что внешние вентиляционные решетки полностью закрыты, в противном случае существует опасность того, что компрессор не будет работать при низкой температуре окружающей среды (~ ниже 0 °С).



Инструкции по замене декоративной панели и фиксатора двери и декоративной панели и дверной петли можно найти по адресу:

[documents.dometic.com/?object\\_id=81907](https://documents.dometic.com/?object_id=81907)

## 4.1 Определение места монтажа



### ВНИМАНИЕ! Риск повреждения

- Запрещается устанавливать холодильник с дверцей, обращенной в направлении движения, в задней части жилого автофургона.
- Оставьте устройство в вертикальном положении не менее чем на 3 часа перед первым запуском.

При монтаже холодильника соблюдайте следующие требования:

- Убедитесь в прочности и ровности пола.  
Для этой цели установите автомобиль на горизонтальной поверхности.
- Холодильник должен быть установлен так:
  - чтобы имелся доступ для проведения сервисных работ
  - чтобы его можно было снять и установить
  - его можно было вынести из транспортного средства
- В автофургонах встраиваемый узел может устанавливаться с дверью, направленной по ходу движения, при условии, что он устанавливается рядом с раздвижной дверью и за сиденьем второго водителя.
- Холодильник следует установить в нише для того, чтобы он стоял неподвижно при движении автомобиля. Для этой цели соблюдайте размеры, приведенные на рис. **1**, стр. 3 и рис. **3**, стр. 4.

Учитывайте следующий размер проема (рис. **2**, стр. 4):

	<b>RCD 10.ES, RCD 10.5ET</b>	<b>RCD 10.XES, RCD 10.5XET</b>
Высота холодильника <b>(A)</b>	1283 мм	1283 мм
Ширина холодильника <b>(B)</b>	523 мм	523 мм
Глубина холодильника <b>(C)</b> (исключая ручку управления 5 мм)	550 мм	605 мм
Высота проема <b>(H)</b>	1290 мм	1290 мм
Ширина проема <b>(W)</b>	528 мм	528 мм
Глубина проема <b>(D)</b>	568 мм	623 мм

- Холодильник должен быть установлен на расстоянии не менее 5 мм от пола, чтобы обеспечить правильное открывание дверцы (рис. **3**, стр. 4).
  - Убедитесь, что ковры не мешают свободному движению дверцы.
  - Избегайте установки холодильника непосредственно на пол.

## 4.2 Монтаж патрубка для отвода конденсата

Конденсат может образовываться внутри холодильника из-за частого открывания дверцы, неправильного хранения продуктов или наличия внутри холодильника теплых продуктов. Для слива конденсата необходимо обеспечить постоянный уклон.

Установите линию слива конденсата следующим образом:

- ▶ Выведите шланг отвода конденсата через отверстие в полу, которое ведет наружу.

## 4.3 Подключение электропитания



Источник электропитания должен быть подключен квалифицированным электриком, который продемонстрировал навыки и знания, связанные с монтажом и эксплуатацией электрооборудования и внутренних электрических сетей, и прошел обучение по технике безопасности в целях выявления и предотвращения связанных с этим опасностей.





### ВНИМАНИЕ! Риск повреждения

- Во избежание потерь напряжения и мощности рекомендуется использовать кабель минимальной длины и не рекомендуется использовать дополнительные выключатели, штекеры или распределительные коробки.
- Перед присоединением убедитесь в том, что рабочее напряжение соответствует напряжению батареи (см. заводскую табличку).
- При присоединении источника питания напряжением 12 В $\pm$  соблюдайте правильную полярность.

1. Определите необходимое поперечное сечение кабеля в зависимости от его длины по рис. **4**, стр. 5.
2. Присоедините кабели к разъему AMP холодильника (рис. **5**, стр. 5).
3. Присоедините другие концы кабелей к источнику напряжения 12 В $\pm$ :
  - rd (красный): оснащенный предохранителем (10 А) к положительному (+) полюсу
  - bk (черный): к отрицательному (-) полюсу

## 4.4 Крепление холодильника



### ВНИМАНИЕ! Риск повреждения

Чтобы не повредить элементы, покрытые пеной (например, кабели или трубы), используйте только прилагаемые винты и втулки.



### УКАЗАНИЕ

- Закрепите боковые стенки или планки так, чтобы резьбовые соединения не ослабли при повышенных нагрузках (например, во время движения транспортного средства).
- Холодильник разработан для обеспечения регулируемого воздушного потока. Изготовитель не рекомендует оставлять дополнительное пространство между холодильником и стенками.

1. Переместите холодильник в его окончательное положение так, чтобы передний фланец плотно прилегал к проему спереди.
2. Ввинтите винты (рис. **6**, стр. 6) в боковые стенки, а потом в стенки ниши холодильника через пластиковые втулки.
3. Закройте головки винтов заглушками.

## 5 Утилизация



### ВНИМАНИЕ!

В изоляции холодильника содержится горючий циклопентан, который требует особого метода утилизации. По окончании срока службы сдайте охлаждающее устройство в соответствующий центр утилизации.



- ▶ По возможности, выкидывайте упаковочный материал в мусор, подлежащий вторичной переработке.
- ▶ Выясните в ближайшем центре по вторичной переработке или в торговой сети о соответствующих предписаниях по утилизации изделия.

### Переработка изделий с батареями, аккумуляторами и источниками света




- ▶ Перед переработкой изделия нужно извлечь из него батареи, аккумуляторы и источники света.
- ▶ Неисправные аккумуляторы и разряженные батареи сдавайте в торговую организацию или в специальные сборные пункты.
- ▶ Аккумуляторы, батареи и источники света запрещается выбрасывать в бытовой мусор.
- ▶ Если вы окончательно выводите изделие из эксплуатации, получите информацию в ближайшем центре по вторичной переработке или в торговой сети о соответствующих предписаниях по утилизации.
- ▶ Изделие может быть утилизировано бесплатно.

## 6 Технические характеристики

Актуальную декларацию соответствия ЕС для вашего устройства смотрите на странице соответствующего продукта на [dometic.com](http://dometic.com) или свяжитесь с производителем напрямую (см. [dometic.com/dealer](http://dometic.com/dealer)).

Это устройство соответствует Правилам ЕЭК ООН R10.

	<b>RCD 10.5ES, RCD 10.5ET</b>	<b>RCD 10.5XES, RCD 10.5XET</b>
Объем		
Полный объем	176 л	200 л
Холодильная камера	140 л	159 л
Морозильная камера	35,7 л	40,6 л
Напряжение питания	12 В $\equiv$	12 В $\equiv$
Средняя потребляемая мощность	75 Вт	75 Вт
Потребление энергии	0,698 кВтч/24 ч	0,754 кВтч/24 ч
Режим PERFORMANCE	58,1 Ач/24 ч	62,6 Ач/24 ч
Климатический класс	N, ST	N, ST
Хладагент	R600a	R600a
Имеющееся количество хладагента	34 г	34 г
Эквивалент CO <sub>2</sub>	0,000102 т	0,000102 т
Потенциал глобального потепления (GWP)	3	3
Уровень шума	39 дБ(А)	39 дБ(А)
Размеры В x Ш x Г (в мм)	1283 x 523 x 550	1283 x 523 x 605
Вес	38 кг	39,5 кг
Испытания/сертификат:		

Prosimy o uważne przeczytanie niniejszej instrukcji i przestrzeganie wszystkich zawartych w niej instrukcji postępowania, wskazówek i ostrzeżeń. Pozwoli to zapewnić, że produkt będzie zawsze prawidłowo instalowany, wykorzystywany i konserwowany. Niniejsza instrukcja MUSI przez cały czas pozostawać przy produkcie.

Korzystając z produktu, użytkownik potwierdza uważne przeczytanie wszelkich instrukcji, wskazówek i ostrzeżeń, ich zrozumienie oraz zobowiązuje się przestrzegać zawartych w nich warunków. Użytkownik zobowiązuje się wykorzystywać niniejszy produkt wyłącznie zgodnie z jego przeznaczeniem i zamierzonym zastosowaniem oraz z instrukcjami, wskazówkami i ostrzeżeniami wyszczególnionymi w niniejszej instrukcji produktu, jak również ze wszystkimi mającymi zastosowanie przepisami i regulacjami prawnymi. Nieprzestrzeganie zawartych tu instrukcji i ostrzeżeń może skutkować obrażeniami u użytkownika oraz osób trzecich, uszkodzeniem produktu lub też uszkodzeniem mienia w sąsiedztwie produktu. Zastrzega się możliwość wprowadzania zmian i aktualizacji niniejszej instrukcji produktu, wraz z instrukcjami, wskazówkami i ostrzeżeniami oraz powiązaną dokumentacją. Aktualne informacje dotyczące produktu można zawsze znaleźć na stronie [documents.dometic.com](http://documents.dometic.com).

## Spis treści

1	Objaśnienie symboli . . . . .	116
2	Wskazówki bezpieczeństwa . . . . .	117
3	Użytkowanie zgodne z przeznaczeniem . . . . .	119
4	Montaż lodówki . . . . .	120
5	Utylizacja . . . . .	123
6	Dane techniczne . . . . .	123

## 1 Objąśnienie symboli



### **OSTRZEŻENIE!**

**Wskazówka bezpieczeństwa:** Wskazuje niebezpieczną sytuację, która – jeśli się jej nie uniknie – może prowadzić do śmierci lub poważnych obrażeń.



### **OSTROŻNIE!**

**Wskazówka bezpieczeństwa:** Wskazuje niebezpieczną sytuację, która – jeśli się jej nie uniknie – może prowadzić do lekkich lub umiarkowanych obrażeń.



### **UWAGA!**

Wskazuje sytuację, która – jeśli się jej nie uniknie – może prowadzić do powstania szkód materialnych.



### **WSKAZÓWKA**

Dodatkowe informacje dotyczące obsługi produktu.

## 2 Wskazówki bezpieczeństwa

### 2.1 Podstawowe zasady bezpieczeństwa



**OSTRZEŻENIE! Nieprzestrzeganie tych ostrzeżeń może prowadzić do śmierci lub ciężkich obrażeń.**

#### **Ryzyko porażenia prądem**

- Montażu i demontażu lodówki dokonywać może wyłącznie wykwalifikowany personel.
- Nie wolno uruchamiać lodówki, jeśli posiada ona widoczne uszkodzenia.
- Napraw lodówki mogą dokonywać tylko odpowiednio wykwalifikowane osoby. Nieprawidłowe naprawy mogą wywoływać poważne zagrożenia lub powodować uszkodzenia lodówki.
- Jeśli kabel przyłączeniowy tej lodówki jest uszkodzony, w celu uniknięcia zagrożeń należy go wymienić u producenta, w dziale obsługi klienta lub u osoby posiadającej podobne uprawnienia.
- Podczas ustawiania lodówki należy uważać, aby nie przygnieść ani nie uszkodzić przewodu zasilającego.
- Urządzenie podłączać do gniazdek zapewniających odpowiednie przyłącze, zwłaszcza jeżeli wymaga ono uziemienia.

#### **Ryzyko pożaru**

- Czynnik chłodniczy w obiegu chłodzenia jest wysoce łatwopalny. W wypadku jego wycieku może dojść do gromadzenia się palnych gazów, jeżeli urządzenie jest ustawione w małym pomieszczeniu. W razie uszkodzenia obiegu czynnika chłodniczego:
  - Nie zbliżać do lodówki nieosłoniętych płomieni ani potencjalnych źródeł zapłonu.
  - Dobrze przewietrzyć pomieszczenie.
  - Wyłączyć lodówkę.

Dotyczy lodówek z czynnikiem chłodniczym R600a:

- Obieg chłodniczy zawiera niewielką ilość przyjaznego dla środowiska, ale palnego czynnika chłodniczego. Nie uszkadza on warstwy ozonowej i nie przyczynia się do powstawania efektu cieplarnianego. Wyciekły czynnik chłodniczy może się zapalić.
- Nie użytkować ani nie przechowywać lodówki w zamkniętych pomieszczeniach bez przepływu powietrza lub o minimalnym przepływie powietrza.

- We wnęce, w której instalowana jest lodówka, nie umieszczać żadnych elementów elektrycznych ani opraw oświetleniowych, które podczas normalnej pracy albo w przypadku uszkodzenia mogą wytwarzać iskry lub łuki elektryczne (np. przełączników albo skrzynek bezpieczników).

### **Ryzyko wybuchu**

- Nie rozpylać aerozoli w pobliżu pracującej lodówki.
- W lodówce nie wolno przechowywać substancji wybuchowych, np. pojemników aerozolowych z palnym gazem wytłaczającym.

### **Zagrożenie zdrowia**

- Dzieci od 8 lat i osoby o ograniczonych możliwościach fizycznych, sensorycznych lub intelektualnych oraz osoby niedysponujące stosowną wiedzą i doświadczeniem mogą używać tej lodówki jedynie pod nadzorem innej osoby bądź pod warunkiem uzyskania informacji dotyczących bezpiecznego użytkowania lodówki i zrozumienia wynikających z tego zagrożeń.
- Dzieci od 3 do 8 lat mogą napełniać i opróżniać lodówkę.
- Dzieci nie mogą czyścić ani konserwować produktu bez nadzoru.
- Zabezpieczyć, aby dzieci nie mogły się bawić lodówką.

### **Ryzyko zamknięcia się dziecka w urządzeniu**

- Upewnić się, że półki są zamontowane i zamocowane, aby wykluczyć ryzyko uwięzienia dzieci wewnątrz lodówki.
- Przed utylizacją starego urządzenia chłodniczego:
  - Zdemontować szufladę.
  - Pozostawić półki w lodówce w taki sposób, aby dzieci nie mogły się po nich wspinać.
  - Zdjąć drzwi.



### **OSTROŻNIE! Nieprzestrzeżenie tych uwag może prowadzić do lekkich lub umiarkowanych obrażeń.**

#### **Zagrożenie zdrowia**

- Aby uniknąć niebezpieczeństwa spowodowanego niestabilnym ustawieniem lodówki, należy ją zamocować zgodnie z instrukcją montażu.
- Nie zasłaniać otworów wentylacyjnych w lodówce, w jej obudowie ani w konstrukcji, w którą jest ona wbudowana.
- Nie używać urządzeń mechanicznych ani innych środków do przyspieszania procesu odszraniania, o ile nie zaleca ich do tego celu producent.

- W żadnym wypadku nie otwierać ani nie uszkodzać obiegu chłodniczego.
- Wewnątrz lodówki nie wolno korzystać z żadnych urządzeń elektrycznych, chyba że zostały one zalecone przez producenta.

### **Ryzyko obrażeń**

- Nie używać ani nie przechowywać materiałów łatwopalnych w lodówce lub w jej pobliżu.
- Nie umieszczać żadnych przedmiotów na lodówce ani przy niej.
- Nie wprowadzać modyfikacji w lodówce.



### **UWAGA! Ryzyko uszkodzenia**

- Należy porównać dane dotyczące napięcia na tabliczce znamionowej z dostępnym źródłem zasilania.
- Nie ustawiać lodówki w pobliżu źródeł ciepła (ogrzewania, bezpośredniego promieniowania słonecznego, kuchenek gazowych itp.).
- Należy stale utrzymywać czystość odpływu skroplin.
- Podczas czyszczenia pojazdu nie należy stosować myjki wysokociśnieniowej w pobliżu kratki wentylacyjnej.
- Lodówkę należy chronić przed deszczem.

## **3 Użytkowanie zgodne z przeznaczeniem**

Lodówka nadaje się do:

- montażu w przyczepach kempingowych i pojazdach kempingowych
- chłodzenia, mrożenia i przechowywania produktów spożywczych

Lodówka nie nadaje się do:

- przechowywania leków
- przechowywania substancji żrących lub zawierających rozpuszczalniki
- produktów spożywczych szybko mrożonych

Lodówka jest przeznaczona do instalacji w meblach lub we wnęce.

Lodówka nie jest przeznaczona do zastosowań domowych.

Dwugwiazdkowy zamrażalnik nadaje się do przechowywania uprzednio zamrożonej żywności, przechowywania lub wytwarzania lodów oraz do wytwarzania kostek lodu. Nie nadaje się on do zamrażania uprzednio niezamrożonej żywności.

## 4 Montaż lodówki



### **OSTROŻNIE! Zagrożenie zdrowia**

Aby uniknąć niebezpieczeństwa spowodowanego niestabilnym ustawieniem urządzenia, należy je zamocować zgodnie z instrukcją.



### **OSTROŻNIE! Ryzyko obrażeń**

Urządzenie ma ostre krawędzie. Podczas montażu należy nosić rękawiczki.



### **WSKAZÓWKA**

W przypadku zastępowania lodówki absorpcyjnej lodówką sprężarkową należy upewnić się, że zewnętrzne kratki wentylacyjne są całkowicie zamknięte. W innym wypadku sprężarka może nie uruchamiać się przy niskich temperaturach otoczenia (~poniżej 0°C).



Instrukcję zmiany panelu dekoracyjnego i przekładania zawiasów drzwi można znaleźć w internecie pod adresem:

[documents.dometic.com/?object\\_id=81907](https://documents.dometic.com/?object_id=81907)

### 4.1 Wybór miejsca montażu



### **UWAGA! Ryzyko uszkodzenia**

- Lodówki nie można montować z tyłu przyczep kempingowych z drzwiami otwierającymi się w kierunku jazdy.
- Przed pierwszym uruchomieniem urządzenie należy pozostawić w pozycji pionowej na co najmniej 3 godziny.

Podczas montażu lodówki należy uwzględnić następujące uwagi:

- Podłoga musi być wystarczająco wytrzymała i wypoziomowana. W związku z tym pojazd należy parkować na powierzchni poziomej.
- Lodówka musi być zamontowana w taki sposób, aby:
  - była łatwo dostępna dla prac serwisowych
  - zapewnić jej łatwy montaż i demontaż
  - można ją było łatwo usunąć z pojazdu
- W busach kempingowych urządzenie podbłatowe można zamontować z drzwiami wskazującymi w kierunku jazdy, pod warunkiem jego montażu obok drzwi przesuwnych i za fotelem pasażera.



- Lodówka musi zostać zamontowana we wnęce, aby była unieruchomiona podczas poruszania się pojazdu. Należy przy tym przestrzegać wymiarów podanych na rys. **1**, strona 3 i rys. **3**, strona 4.

Należy przestrzegać następujących wymiarów wnęki (rys. **2**, strona 4):

	<b>RCD 10.ES, RCD 10.5ET</b>	<b>RCD 10.XES, RCD 10.5XET</b>
Wysokość lodówki ( <b>A</b> )	1283 mm	1283 mm
Szerokość lodówki ( <b>B</b> )	523 mm	523 mm
Głębokość lodówki ( <b>C</b> ) (plus pokrętko do obsługi: 5 mm)	550 mm	605 mm
Wysokość wnęki ( <b>H</b> )	1290 mm	1290 mm
Szerokość wnęki ( <b>W</b> )	528 mm	528 mm
Głębokość wnęki ( <b>D</b> )	568 mm	623 mm

- Lodówkę należy zainstalować w minimalnej odległości 5 mm od podłogi, aby zapewnić prawidłowe otwieranie się drzwi (rys. **3**, strona 4).
  - Zwrócić uwagę, aby ruchu drzwi nie ograniczały dywany ani wykładziny.
  - Unikać ustawiania lodówki bezpośrednio na podłodze.

## 4.2 Montaż odpływu skroplin

W wyniku częstego otwierania drzwi, nieprawidłowego przechowywania żywności lub umieszczania w lodówce zbyt ciepłych potraw mogą powstawać w niej skropliny. Przewód odpływowy skroplin musi być na całej długości nachylony.

Odpływ skroplin należy zamontować w następujący sposób:

- Poprowadzić przewód odpływowy skroplin od lodówki na zewnątrz poprzez otwór w podłodze.

## 4.3 Podłączanie zasilania elektrycznego



Przyłącze elektryczne musi zostać wykonane przez wykwalifikowanego elektryka, posiadającego poświadczoną kompetencje i wiedzę w zakresie budowy i obsługi urządzeń oraz instalacji elektrycznych, który przeszedł szkolenie w zakresie bezpieczeństwa, pozwalające na identyfikację i unikanie występujących zagrożeń.

**UWAGA! Ryzyko uszkodzenia**

- Aby uniknąć strat napięcia i mocy, należy zastosować jak najkrótszy i w miarę możliwości niełączony kabel. Z tego względu należy unikać korzystania z dodatkowych przełączników, wtyków lub listew zasilających.
- Przed przyłączeniem sprawdzić, czy wartości napięcia roboczego i napięcia akumulatora są takie same (patrz tabliczka znamionowa).
- Przy podłączaniu do zasilania 12 V $\text{---}$  należy zwrócić uwagę na prawidłowe przyłączenie biegunów.

1. Przekrój kabla określa się w zależności od jego długości zgodnie z rys. **4**, strona 5.
2. Podłączyć kable do złącza AMP lodówki (rys. **5**, strona 5).
3. Podłączyć przeciwległe końce kabli do źródła napięcia 12 V $\text{---}$ :
  - rd (czerwony): z bezpiecznikiem (10 A) do dodatniego bieguna (+)
  - bk (czarny): do ujemnego bieguna (-)

## 4.4 Mocowanie lodówki

**UWAGA! Ryzyko uszkodzenia**

Śruby należy wkręcać wyłącznie w przeznaczone do tego celu tulejki, aby uniknąć uszkodzenia elementów ukrytych w pianie izolacyjnej, takich jak przewody itp.

**WSKAZÓWKA**

- Przykręcić boczne ściany lub przymocowane listwy w taki sposób, aby śruby pozostawały mocno dokręcone również przy zwiększonych obciążeniach (podczas jazdy).
- Lodówka jest zaprojektowana do pracy z regulowanym przepływem powietrza. Nie zaleca się pozostawiania dodatkowej przestrzeni pomiędzy lodówką a ścianami wnęki.

1. Ustawić lodówkę w jej ostatecznym położeniu, przednim kołnierzem mocno dociśniętym do przodu wnęki.
2. Wkręcić śruby (rys. **6**, strona 6) w plastikowe tulejki w ścianach bocznych lodówki oraz dalej w ściany wnęki.
3. Założyć zatyczki na główki śrub.

## 5 Utylizacja



### UWAGA!

Izolacja tego urządzenia chłodniczego zawiera palny cyklopentan, przez co wymaga ono specjalnej procedury utylizacyjnej. Po zaprzestaniu jego dalszej eksploatacji urządzenie chłodnicze należy dostarczyć do specjalistycznego zakładu utylizacyjnego.



- ▶ Opakowanie należy wyrzucić do odpowiedniego pojemnika na odpady do recyklingu.
- ▶ Szczegółowe informacje na temat utylizacji produktu zgodnie z obowiązującymi przepisami można uzyskać w lokalnym zakładzie recyklingu lub u specjalistycznego dystrybutora.

### Recykling produktów zawierających baterie, akumulatory i źródła światła




- ▶ Przed poddaniem produktu recyklingowi należy usunąć z niego wszelkie baterie, akumulatory i źródła światła.
- ▶ Uszkodzone akumulatory lub zużyte baterie należy przekazać do punktu sprzedaży lub odpowiedniego punktu zbiórki.
- ▶ Baterii, akumulatorów i źródeł światła nie należy wrzucać do pojemników na odpady komunalne.
- ▶ Jeśli produkt nie będzie już dalej wykorzystywany, należy dowiedzieć się w najbliższym zakładzie recyklingu lub od specjalistycznego przedstawiciela producenta, w jaki sposób można zutylizować produkt zgodnie z obowiązującymi przepisami.
- ▶ Produkt można zutylizować nieodpłatnie.

## 6 Dane techniczne

Aktualną deklarację zgodności UE dla urządzenia można znaleźć na stronie produktu pod adresem: [dometic.com](http://dometic.com) lub uzyskać ją bezpośrednio u producenta (patrz [dometic.com/dealer](http://dometic.com/dealer)).

Urządzenie to jest zgodne z regulaminem nr 10 EKG ONZ.

	<b>RCD 10.5ES, RCD 10.5ET</b>	<b>RCD 10.5XES, RCD 10.5XET</b>
Pojemność		
Pojemność brutto	176 l	200 l
Komora chłodząca	140 l	159 l
Zamrażalnik	35,7 l	40,6 l
Napięcie zasilania	12 V $\overline{=}$	12 V $\overline{=}$
Średni pobór mocy	75 W	75 W
Zużycie energii	0,698 kWh/24 h	0,754 kWh/24 h
Tryb PERFORMANCE	58,1 Ah/24 h	62,6 Ah/24 h
Klasa klimatyczna	N, ST	N, ST
Czynnik chłodniczy	R600a	R600a
Ilość czynnika chłodniczego	34 g	34 g
Ekwiwalent CO <sub>2</sub>	0,000102 t	0,000102 t
Potencjał tworzenia efektu cieplarnianego (GWP)	3	3
Emisja szumów	39 dB(A)	39 dB(A)
Wymiary wys. x szer. x gł. (w mm)	1283 x 523 x 550	1283 x 523 x 605
Masa	38 kg	39,5 kg
Kontrole/certyfikaty		

Dôkladne si prečítajte tento návod a dodržiavajte všetky pokyny, usmernenia a varovania uvedené v tomto návode k výrobku, aby sa zaručilo, že výrobok sa vždy bude správne inštalovať, používať a udržiavať. Tento návod MUSÍ zostať priložený k výrobku.

Používaním tohto výrobku týmto potvrdzujete, že ste si dôkladne prečítali všetky pokyny, usmernenia a varovania a že rozumiete a súhlasíte s dodržiavaním všetkých uvedených podmienok. Súhlasíte, že tento výrobok budete používať len v súlade so zamýšľaným použitím a v súlade s pokynmi, usmerneniami a varovania uvedenými v tomto návode k výrobku, ako aj v súlade so všetkými platnými zákonmi a nariadeniami. V prípade, že si neprečítate a nebudete sa riadiť pokynmi a varovaniami uvedenými v tomto návode, môže mať za následok vaše poranenie alebo poranenie iných osôb, poškodenie vášho výrobku alebo poškodenie majetku v jeho blízkosti. Tento návod k výrobku vrátane pokynov, usmernení a varovaní, a súvisiaca dokumentácia môže podliehať zmenám a aktualizáciám. Najaktuálnejšie informácie o výrobku nájdete na adrese [documents.dometic.com](http://documents.dometic.com).

## Obsah

1	Vysvetlenie symbolov . . . . .	125
2	Bezpečnostné pokyny . . . . .	126
3	Používanie v súlade s určením . . . . .	128
4	Montáž chladničky . . . . .	129
5	Likvidácia . . . . .	132
6	Technické údaje . . . . .	132

## 1 Vysvetlenie symbolov



### VÝSTRAHA!

**Bezpečnostný pokyn:** Označuje nebezpečnú situáciu, ktorej následkom môže byť smrť alebo vážne zranenie, ak sa jej nezabráni.



### UPOZORNENIE!

**Bezpečnostný pokyn:** Označuje nebezpečnú situáciu, ktorej následkom môže byť malé alebo stredne ťažké zranenie, ak sa jej nezabráni.



### POZOR!

Označuje situáciu, ktorej následkom môže byť poškodenie majetku, ak sa jej nezabráni.



### POZNÁMKA

Doplňujúce informácie týkajúce sa obsluhy produktu.

## 2 Bezpečnostné pokyny

### 2.1 Základy bezpečnosti



**VÝSTRAHA! Nedodržanie týchto varovaní môže mať za následok smrť alebo vážne poranenie.**

#### **Nebezpečenstvo úrazu elektrickým prúdom**

- Montáž a demontáž chladničky smú vykonávať len kvalifikovaní pracovníci.
- Ak chladnička vykazuje viditeľné poškodenia, nesmiete ju uviesť do prevádzky.
- Opravy na tejto chladničke smú vykonávať len kvalifikovaní odborníci. Neodbornými opravami môžu vzniknúť značné nebezpečenstvá príp. poškodenia chladničky.
- Ak je pripájací kábel tejto chladničky poškodený, musí ho vymeniť výrobca, jeho zákaznícky servis alebo iná kvalifikovaná osoba, aby sa predišlo ohrozeniam.
- Pri umiestňovaní chladničky sa ubezpečte, že napájací kábel nie je zachytený alebo poškodený.
- Zariadenie pripájajte do zásuviek, ktoré zaručia správne pripojenie, najmä vtedy, keď je zariadenie potrebné uzemniť.

#### **Nebezpečenstvo požiaru**

- Chladiaci prostriedok v chladiacom okruhu chladničky je vysoko horľavý a v prípade úniku sa môžu nahromadiť horľavé plyny, ak je spotrebič umiestnený v malej miestnosti.  
V prípade poškodenia chladiaceho okruhu:
  - Otvorený plameň a potenciálne zdroje zapálenia držte mimo chladničky.
  - Miestnosť dobre vetrajte.
  - Vypnite chladničku.

Pre chladničky s chladiacim médiom R600a:

- Chladiaci okruh obsahuje malé množstvo ekologického, ale horľavého chladiaceho média. Nenaruša ozónovú vrstvu a neprispieva k zvyšovaniu skleníkového efektu. Uniknuté chladiace médium sa môže vznietiť.
- Chladničku nepoužívajte ani neskladujte v stiesnených priestoroch so žiadnym alebo minimálnym prúdením vzduchu.

- V montážnom výklenku pre chladničku sa nesmú nachádzať žiadne elektrické súčasti a svietidlá, ktoré počas normálnej alebo abnormálnej prevádzky vytvárajú iskry alebo oblúky (napr. relé alebo poistkové skrinky).

### **Nebezpečenstvo výbuchu**

- Keď je chladnička v prevádzke, nepoužívajte v jej blízkosti žiadne spreje.
- V chladničke neuskladňujte látky, pri ktorých hrozí nebezpečenstvo výbuchu, napr. sprejové nádoby s horľavým hnacím plynom.

### **Nebezpečenstvo ohrozenia zdravia**

- Túto chladničku smú používať deti od 8 rokov a osoby so zníženými psychickými, zmyslovými alebo mentálnymi schopnosťami a vedomosťami, keď sú pod dozorom alebo keď boli poučené o bezpečnom používaní chladničky a chápu, aké riziká z toho vyplývajú.
- Deti vo veku od 3 do 8 rokov smú nakladať a vykladať chladničku.
- Čistenie a bežnú údržbu nesmú deti vykonávať bez dozoru.
- Dohliadnite na to, aby sa deti nehrali s chladničkou.

### **Riziko uväznenia dieťaťa**

- Postarajte sa, aby police boli namontované a zaistené, takže deti sa nebudú môcť zavrieť v chladničke.
- Pred likvidáciou vašej starej chladničky:
  - Demontujte zásuvky.
  - Nechajte zásuvky v chladničke, aby deti nemohli vojsť dnu.
  - Vyveste dvere.



### **UPOZORNENIE! Nedodržanie týchto upozornení môže mať za následok drobné alebo stredne ťažké poranenie.**

#### **Nebezpečenstvo ohrozenia zdravia**

- Chladnička musí byť upevnená podľa pokynov v návode, aby sa zabránilo ohrozeniu následkom jej nestability.
- Udržujte vetracie otvory na chladničke, v kryte chladničky alebo vo vstavanej konštrukcii bez prekážok.
- Nepoužívajte mechanické prostriedky alebo iné prostriedky na urýchlenie proces odmrázovania, než tie, ktoré odporúča výrobca.
- Chladiaci okruh v žiadnom prípade neotvárajte ani nepoškodte.

- Nepoužívajte v chladničke žiadne elektrické zariadenia, okrem prípadu, keď výrobca odporúča používanie týchto zariadení takýmto spôsobom.

### **Nebezpečenstvo poranenia**

- Nepoužívajte ani neskladujte horľavé materiály v tejto chladničke alebo v jej blízkosti.
- Neumiestňujte predmety na chladničku alebo pred chladničku.
- Túto chladničku neupravujte.



### **POZOR!**

### **Nebezpečenstvo poškodenia**

- Skontrolujte, či sa údaje o napätí na typovom štítku zhodujú so zdrojom napätia.
- Neumiestňujte chladničku do blízkosti zdrojov tepla (ohrievače, priame slnečné žiarenie, plynové rúry atď.).
- Odtok kondenzovanej vody udržiavajte vždy čistý.
- Pri čistení vozidla nepoužívajte v priestore vetracej mriežky žiadny vysokotlakový čistič.
- Chladnička sa nesmie vystavovať dažďu.

## **3 Používanie v súlade s určením**

Chladnička je vhodná na:

- montáž do karavanov a obytných vozov,
- chladenie, hlboké zmrazovanie a uskladnenie potravín

Chladnička nie je vhodná na:

- skladovanie liekov,
- skladovanie korozívnych látok alebo látok s obsahom rozpúšťadiel,
- rýchle zmrazovanie jedla.

Chladnička je určená na montáž do skrinky alebo do montážneho výklenku.

Táto chladnička nie je určená na použitie v domácnosti.

Mraziaca priehradka je vhodná na uskladnenie predmrazených potravín, uskladnenie alebo výrobu zmrzliny a výrobu kociek ľadu. Nie je vhodný na zmrazovanie už rozmrazených potravín.



## 4 Montáž chladničky



### UPOZORNENIE! Nebezpečenstvo ohrozenia zdravia

Zariadenie musí byť upevnené podľa opisu v návode, aby sa zabránilo ohrozeniu následkom jeho nestability/uvolnenia.



### UPOZORNENIE! Nebezpečenstvo poranenia

Zariadenie má ostré hrany. Počas montáže noste rukavice.



### POZNÁMKA

Ak kompresorová chladnička nahradí absorpčnú chladničku, musíte zabezpečiť, aby externé vetracie mriežky boli úplne zakryté. V opačnom prípade hrozí riziko, že kompresor sa nespustí pri nízkej teplote okolia (~pod 0 °C).



Príručku s pokynmi na výmenu dekoračnej platne a zarážky dverí nájdete online na adrese:

[documents.dometic.com/?object\\_id=81907](https://documents.dometic.com/?object_id=81907)

### 4.1 Výber miesta montáže



#### POZOR! Nebezpečenstvo poškodenia

- Chladnička sa nesmie montovať v zadnej časti karavanu s dverami v smere jazdy.
- Ponechajte zariadenie vo zvislej polohe minimálne 3 hodiny, než ho po prvýkrát zapnete.

Pri montáži chladničky dodržiavajte nasledovné pokyny:

- Ubezpečte sa, že podlaha je pevná a rovná.  
Kvôli tomu zaparkujte vozidlo na vodorovnom povrchu.
- Chladnička musí byť namontovaná tak, aby:
  - bola ľahko dostupná pre servisné práce
  - ľahko sa demontovala a montovala
  - dala sa ľahko vybrať z vozidla
- V obytných vozidlách môžete byť vstavaná jednotka namontovaná s dverami v smere jazdy, ak je namontovaná vedľa posuvných dverí a za sedadlom spolu-jazdca.

- Chladnička musí byť zabudovaná do výklenku, aby sa pri pohybe vozidla nepohla. Za týmto účelom si poznačte rozmery na obr. **1**, strane 3 a obr. **3**, strane 4.

Poznačte si nasledujúce rozmery výklenku (obr. **2**, strane 4):

	RCD 10.ES, RCD 10.5ET	RCD 10.XES, RCD 10.5XET
Výška chladničky ( <b>A</b> )	1283 mm	1283 mm
Šírka chladničky ( <b>B</b> )	523 mm	523 mm
Hĺbka chladničky ( <b>C</b> ) (nezahŕňa ovládací regulátor 5 mm)	550 mm	605 mm
Výška výklenku ( <b>V</b> )	1290 mm	1290 mm
Šírka výklenku ( <b>Š</b> )	528 mm	528 mm
Hĺbka výklenku ( <b>D</b> )	568 mm	623 mm

- Chladnička musí byť namontovaná s minimálnou vzdialenosťou 5 mm od podlahy, aby bolo zaručené riadne otváranie dverí (obr. **3**, strane 4).
  - Ubezpečte sa, že koberce nemôžu obmedziť voľný pohyb dverí.
  - Neumiestňujte chladničku priamo na podlahu.

## 4.2 Montáž odtoku kondenzovanej vody

Vo vnútri chladničky sa kvôli častému otváraní dverí, nesprávne skladovaným potravinám alebo skladovaniu príliš teplých jedál môže tvoriť kondenzovaná voda. Kondenzovaná voda musí odtekať pod konštantným sklonom.

Odtok kondenzovanej vody namontujte nasledovne:

- ▶ Vedte hadicu na kondenzovanú vodu z chladničky cez otvor v podlahe smerujúci von.

## 4.3 Pripojenie zdroja napájania



Elektrické napájanie musí byť pripojené kvalifikovaným elektrikárom, ktorý preukázal zručnosti a znalosti týkajúce sa konštrukcie a prevádzky elektrických zariadení a inštalácií a absolvoval bezpečnostné školenie na identifikáciu a predchádzanie príslušným nebezpečenstvám.



### POZOR! Nebezpečenstvo poškodenia

- Aby ste predišli poklesu napätia, a tým aj poklesu výkonu, mal by byť kábel čo najkratší a neprerušený. Z tohto dôvodu sa vyhnite doplnkovým spínačom, zásuvkám alebo rozdeľovacím zásuvkám.
- Pred pripojením skontrolujte, či sa prevádzkové napätie zhoduje s napätím batérie (pozri typový štítok).
- Pri pripájaní 12 V $\equiv$  zdroja napätia dbajte na správnu polaritu.

1. Určte potrebný prierez kábla v závislosti od dĺžky kábla podľa obr. **4**, strane 5.
2. Pripojte káble k AMP konektoru chladničky (obr. **5**, strane 5).
3. Opačné konce káblov pripojte k zdroju napájania 12 V $\equiv$ :
  - rd (červený): s poistkovou ochranou (10 A) pripojenou ku kladnému (+) pólu
  - bk (čierny): k zápornému (-) pólu

## 4.4 Pripevnenie chladničky



### POZOR! Nebezpečenstvo poškodenia

Skrutkujte vždy cez puzdrá, ktoré sú na to určené, pretože v opačnom prípade môže dôjsť k poškodeniu zapenených dielov, ako napríklad káble.



### POZNÁMKA

- Pripevnite bočné steny alebo namontované lišty tak, aby skrutky pevne držali aj pri vyššom namáhaní (počas jazdy).
- Chladnička je skonštruovaná tak, aby bolo zaručené regulované prúdenie vzduchu. Neodporúča sa ponechať dodatočný priestor medzi chladničkou a stenami otvoru.

1. Premiestnite chladničku do jej konečnej polohy tak, aby predná príruha tesne priliehala proti prednej časti výklenku.
2. Zakrúťte skrutky (obr. **6**, strane 6) cez plastové puzdrá v bočných stenách chladničky a ďalej do steny.
3. Na hlavy skrutiek nasadzte krycie uzávery.

## 5 Likvidácia



### POZOR!

Izolácia chladiaceho zariadenia obsahuje horľavý cyklopentán a vyžaduje si špeciálne postupy pri likvidácii. Po uplynutí jeho životnosti odovzdanie chladiace zariadenie na vhodnú recykláciu.



- ▶ Obalový materiál dávajte podľa možnosti do príslušného recyklovateľného odpadu.
- ▶ Informujte sa v najbližšom recyklačnom stredisku alebo u vášho špecializovaného predajcu o likvidácii výrobku v súlade s príslušnými predpismi týkajúcimi sa likvidácie.

### Recyklácia výrobkov s batériami, nabíjateľnými batériami a svetelnými zdrojmi




- ▶ Pred recykláciou výrobku vyberte všetky batérie, nabíjateľné batérie a svetelné zdroje.
- ▶ Vaše poškodené akumulátory alebo prázdne batérie odovzdajte u predajcu alebo v zbernom mieste.
- ▶ Batérie, nabíjateľné batérie ani svetelné zdroje nevyhadzujte do domového odpadu.
- ▶ Keď výrobok chcete definitívne vyradiť z prevádzky, informujte sa v najbližšom recyklačnom stredisku alebo u svojho špecializovaného predajcu o príslušných predpisoch týkajúcich sa likvidácie.
- ▶ Výrobok je možné bezplatne zlikvidovať.

## 6 Technické údaje

Aktuálne EÚ vyhlásenie o zhode pre vaše zariadenie nájdete na stránke príslušného výrobku na internetovej stránke [dometic.com](http://dometic.com) alebo sa obráťte priamo na výrobcu (pozrite [dometic.com/dealer](http://dometic.com/dealer)).

Toto zariadenie spĺňa požiadavky nariadenia UN ECE R10.

	<b>RCD 10.5ES, RCD 10.5ET</b>	<b>RCD 10.5XES, RCD 10.5XET</b>
Kapacita		
Hrubý objem	176 l	200 l
Chladiaca priehradka	140 l	159 l
Mraziace oddelenie	35,7 l	40,6 l
Pripájacie napätie	12 V $\equiv$	12 V $\equiv$
Priemerný príkon	75 W	75 W
Spotreba	0,698 kWh/24 h	0,754 kWh/24 h
Režim PERFORMANCE	58,1 Ah/24 h	62,6 Ah/24 h
Klimatická trieda	N, ST	N, ST
Chladivo	R600a	R600a
Stav zásob chladiaceho prostriedku	34 g	34 g
Ekvivalent CO <sub>2</sub>	0,000102 t	0,000102 t
Potenciál globálneho otepľovania (GWP)	3	3
Emisie hluku	39 dB(A)	39 dB(A)
Rozmery V × Š × H (v mm)	1283 × 523 × 550	1283 × 523 × 605
Hmotnosť	38 kg	39,5 kg
Skúška/certifikát		

Pečlivě si prosím přečtěte a dodržujte všechny pokyny, směrnice a varování obsažené v tomto návodu k výrobku, abyste měli jistotu, že výrobek budete vždy správně instalovat, používat a udržovat. Tyto pokyny MUSÍ být uchovávány v blízkosti výrobku.

Používáním výrobku tímto potvrzujete, že jste si pečlivě přečetli všechny pokyny, směrnice a varování a že rozumíte podmínkám uvedeným v tomto dokumentu a souhlasíte s nimi. Souhlasíte s používáním tohoto výrobku pouze k určenému účelu a použití a v souladu s pokyny, směrnicemi a varováními uvedenými v tomto návodu k výrobku a v souladu se všemi příslušnými zákony a předpisy. Pokud si nepřečtete a nebudete dodržovat zde uvedené pokyny a varování, může to vést ke zranění vás i ostatních, poškození vašeho výrobku nebo poškození jiného majetku v okolí. Tento návod k výrobku, včetně pokynů, směrnic a varování a související dokumentace může být předmětem změn a aktualizací. Aktuální informace o výrobku naleznete na [documents.dometic.com](http://documents.dometic.com).

## Obsah

1	Vysvětlení symbolů . . . . .	134
2	Bezpečnostní pokyny . . . . .	135
3	Použití v souladu s účelem . . . . .	137
4	Instalace chladničky . . . . .	137
5	Likvidace . . . . .	140
6	Technické údaje . . . . .	141

## 1 Vysvětlení symbolů



### VÝSTRAHA!

**Bezpečnostní pokyn:** Označuje nebezpečnou situaci, která, pokud se jí nezabrání, může mít za následek smrt nebo vážné zranění.



### UPOZORNĚNÍ!

**Bezpečnostní pokyn:** Označuje nebezpečnou situaci, která, pokud se jí nezabrání, může mít za následek lehké nebo středně těžké zranění.



### POZOR!

Označuje nebezpečnou situaci, která, pokud se jí nezabrání, může mít za následek majetkové škody.



### POZNÁMKA

Doplňující informace týkající se obsluhy výrobku.

## 2 Bezpečnostní pokyny

### 2.1 Základní bezpečnost



**VÝSTRAHA! Nedodržení těchto varování by mohlo mít za následek smrt nebo vážné zranění.**

#### **Nebezpečí usmrcení elektrickým proudem**

- Instalaci a odstranění chladničky smí provádět pouze kvalifikovaný personál.
- V případě, že je chladnička viditelně poškozena, nesmíte ji používat.
- Opravy chladničky směji provádět pouze odborníci. Nesprávně provedené opravy mohou být zdrojem značných rizik nebo poškození chladničky.
- Pokud je přívodní kabel této chladničky poškozen, musíte jej nechat vyměnit výrobcem, jeho servisním centrem nebo jinou kvalifikovanou osobou, aby nemohlo dojít k žádnému ohrožení.
- Při umístění chladničky se ujistěte, že není zachycen nebo poškozen přívodní kabel.
- Přístroj zapojte do zásuvek, které zajišťují správné připojení, zejména pokud je třeba přístroj uzemnit.

#### **Nebezpečí požáru**

- Chladivo v chladicím okruhu je vysoce hořlavé a v případě úniku by mohlo dojít k nahromadění hořlavých plynů, pokud se přístroj nachází v malé místnosti.

Při poškození chladicího okruhu:

- Udržujte otevřený oheň a potenciální zdroje vznícení mimo chladničku.
- Místnost dobře větrejte.
- Vypněte chladničku.

Pro chladničky s chladivem R600a:

- Chladicí okruh obsahuje malé množství ekologického, ale hořlavého chladiva. Tím není poškozována ozonová vrstva a nezvyšuje se skleníkový efekt. Unikající chladivo se může vznítit.
- Chladničku nepoužívejte ani neskladujte v uzavřených prostorách s nulovým nebo minimálním prouděním vzduchu.
- Dbejte, aby v instalačním prostoru chladničky nebyly žádné elektrické součásti a svítidla, které při normálním nebo abnormálním provozu vytvářejí jiskry nebo oblouky (např. relé nebo pojistkové skříňky).

**Nebezpečí výbuchu**

- Nestříkejte aerosoly v blízkosti této chladničky, když je v provozu.
- V chladničce neskladujte výbušné látky, například spreje s hnacím plynem.

**Nebezpečí ohrožení zdraví**

- Tuto chladničku mohou používat děti od 8 let a osoby se sníženými fyzickými, smyslovými nebo duševními schopnostmi nebo s nedostatečnými zkušenostmi a znalostmi, pokud jsou pod dohledem nebo obdržely pokyny týkající se používání přístroje bezpečným způsobem a porozuměly souvisejícím nebezpečím.
- Děti ve věku od 3 do 8 let mohou chladničku plnit a vyprazdňovat.
- Čištění a běžnou údržbu nesmějí provádět děti bez dozoru.
- Děti musejí být pod dohledem tak, aby si s chladničkou nehrály.

**Nebezpečí uvíznutí dětí**

- Ujistěte se, že jsou upevněny a zajištěny police, aby se děti nemohly v chladničce zavřít.
- Před likvidací chladničky:
  - Vyměňte zásuvku.
  - Nechejte v chladničce police, aby se dovnitř nemohly dostat děti.
  - Sundejte dvířka ze závěsu.

**UPOZORNĚNÍ! Nedodržení těchto upozornění by mohlo mít za následek lehké nebo střední zranění.****Nebezpečí ohrožení zdraví**

- Aby se předešlo nebezpečí způsobenému nestabilitou chladničky, musí být upevněna v souladu s montážními pokyny.
- Ventilační otvory v krytu chladničky nebo ve vestavné konstrukci udržujte volné.
- K urychlení rozmrazování nepoužívejte mechanické přístroje nebo jiné prostředky než ty doporučené výrobcem.
- V žádném případě neotevírejte ani nepoškozujte chladicí okruh.
- Uvnitř chladničky nepoužívejte žádné elektrické přístroje, pouze pokud jsou k tomu doporučeny výrobcem.

**Riziko zranění**

- Nepoužívejte ani neskladujte hořlavé materiály v chladničce nebo v její blízkosti.
- Na chladničku nepokládejte žádné předměty ani je o chladničku neopírejte.



- Nepravujte tuto chladničku.



### **POZOR! Nebezpečí poškození**

- Porovnejte údaj o napětí na výrobním štítku se stávajícím zdrojem napájení.
- Chladničku neumísťujte do blízkosti zdrojů tepla (topných těles, přímého slunečního záření, plynových sporáků apod.).
- Odtok kondenzátu udržujte stále čistý.
- Při čištění vozidla v místě větrací mřížky nepoužívejte vysokotlaký vodní čistič.
- Chladničku nesmíte vystavit dešti.

## **3 Použití v souladu s účelem**

Chladnička se hodí pro:

- Instalaci v karavanech a obytných vozech
- Chlazení, hluboké mrazení a uchovávání potravin

Chladnička se nehodí pro:

- Skladování léčiv
- Skladování žíravých látek nebo látek s obsahem rozpouštědel
- Rychlé mražení potravin

Chladnička je určena k instalaci do skříňky nebo instalačního výklenku.

Tato chladnička není určena k domácímu použití.

Prostor pro zmrazené potraviny je určen k uchovávání předem zmrazených potravin, k uchovávání nebo výrobě zmrzliny a k výrobě kostek ledu. Není vhodná k mražení dříve rozmrazených potravin.

## **4 Instalace chladničky**



### **UPOZORNĚNÍ! Nebezpečí ohrožení zdraví**

Aby se zabránilo nebezpečí v důsledku nestability přístroje, je nutné jej upevnit v souladu s pokyny.



### UPOZORNĚNÍ! Riziko zranění

Přístroj má ostré hrany. Při instalaci používejte rukavice.



### POZNÁMKA

Pokud kompresorová chladnička nahrazuje absorpční jednotku, je nutné se ujistit, že vnější ventilační mřížky jsou zcela zavřené, jinak totiž existuje riziko, že kompresor nebude při nízké okolní teplotě (~ pod 0 °C) fungovat.



Pokyny k výměně ozdobné lišty a závěsu dvířek najdete online na adrese:  
[documents.dometic.com/?object\\_id=81907](https://documents.dometic.com/?object_id=81907)

## 4.1 Výběr místa instalace



### POZOR! Nebezpečí poškození

- Chladničku není přípustné instalovat do zadní části obytného vozidla s dvířky orientovanými ve směru jízdy.
- Přístroj ponechtejte ve svislé poloze alespoň 3 hodiny před prvním uvedením do provozu.

Při montáži chladničky dodržujte následující pokyny:

- Ujistěte se, že podlaha je pevná a rovná.  
K tomuto účelu zaparkujte vozidlo tak, aby bylo ve vodorovné poloze.
- Chladničku je nutné instalovat tak:
  - aby byla snadno přístupná pro servisní práce
  - aby ji bylo možné snadno nainstalovat i odinstalovat
  - a bez velkých nákladů z vozidla vyjmout
- V obytných vozech lze instalovat podstavnou jednotku se dvířky ve směru jízdy, pokud se umístí vedle posuvných dveří a za sedadlem spolujezdce.
- Chladničku musíte instalovat do výklenku tak, aby za pohybu vozidla zůstala pevně stát. Respektujte přitom rozměry na obr. **1**, strana 3 a obr. **3**, strana 4. Věnujte také pozornost následujícímu rozměru výklenku (obr. **2**, strana 4):

	RCD 10.ES, RCD 10.5ET	RCD 10.XES, RCD 10.5XET
Výška chladničky (A)	1283 mm	1283 mm
Šířka chladničky (B)	523 mm	523 mm

	RCD 10.ES, RCD 10.5ET	RCD 10.XES, RCD 10.5XET
Hloubka chladničky ( <b>C</b> ) (bez ovládacího knoflíku 5 mm)	550 mm	605 mm
Výška výklenku ( <b>V</b> )	1290 mm	1290 mm
Šířka výklenku ( <b>Š</b> )	528 mm	528 mm
Hloubka výklenku ( <b>H</b> )	568 mm	623 mm

- Chladnička musí být instalována ve vzdálenosti minimálně 5 mm od podlahy, aby bylo zajištěno správné otevírání dveří (obr. **3**, strana 4).
  - Dbejte na to, aby volnému pohybu dveří nebránily koberce.
  - Chladničku nestavte přímo na podlahu.

## 4.2 Instalace odvodu kondenzátu

Uvnitř chladničky se může vytvářet kondenzát, a to z důvodu častého otevírání dvířek, nesprávného uchovávání potravin nebo ukládání příliš teplých pokrmů. Kondenzát musí být sveden v konstantním spádu.

Odvod kondenzátu instalujte následovně:

- Vyvedte hadičku pro odtok vodního kondenzátu z chladničky otvorem v podlaze, který směřuje ven z vozidla.

## 4.3 Připojení napájení



Elektrické napájení musí být připojeno kvalifikovaným elektrikářem, který prokázal dovednosti a znalosti týkající se konstrukce a provozu elektrických zařízení a elektroinstalací a absolvoval bezpečnostní školení, aby byl schopen určit související nebezpečí a zamezit jim.



### POZOR! Nebezpečí poškození

- Z důvodu zabránění ztrát napětí a výkonu používejte pokud možno co nejkratší nepřerušovaný kabel. Ze stejného důvodu nepoužívejte další spínače, zástrčky nebo zásuvkové rozbočky.
- Zkontrolujte před připojením, zda se provozní napětí shoduje s napětím baterie (viz typový štítek).
- Při připojování 12V $\equiv$  zdroje napájení dbejte na správnou polaritu.

1. Stanovte potřebný průřez kabelu v závislosti na délce kabelu podle obr. **4**, strana 5.
2. Připojte kabely ke konektoru AMP chladničky (obr. **5**, strana 5).
3. Připojte druhé konce kabelů k 12V== zdroji napájení:
  - rd (červená): chráněný pojistkou (10 A), namontovaný na kladný (+) pól
  - bk (černá): na záporný (-) pól

## 4.4 Upevnění chladničky



### POZOR! Nebezpečí poškození

K šroubování použijte pouze určené objímky, jinak hrozí poškození zapěněných součástí, např. vedení.



### POZNÁMKA

- Boční stěny nebo nasazené lišty upevněte tak, aby šrouby byly dotaženy i při zvýšeném namáhání (při jízdě).
- Chladnička je navržena tak, aby zajišťovala regulovaný proud vzduchu. Nedoporučuje se ponechat další prostor mezi chladničkou a stěnami výklenku.

1. Chladničku přemístěte do konečné polohy s čelní přírubou usazenou těsně na čelo výklenku.
2. Šrouby (obr. **6**, strana 6) zašroubujte skrz plastové objímky v bočních stěnách chladničky a dále do stěny.
3. Na hlavy šroubů nasadte krytky.

## 5 Likvidace



### POZOR!

Izolace chladicího přístroje obsahuje hořlavý cyklopentan a vyžaduje speciální postupy likvidace. Chladicí přístroj odevzdejte na konci jeho životního cyklu do vhodného střediska pro recyklaci.



- Obalový materiál likvidujte v odpadu určeném k recyklaci.
- Informace o likvidaci výrobku v souladu s platnými předpisy pro likvidaci vám sdělí místní recyklační středisko nebo specializovaný prodejce.

## Recyklace výrobků s bateriemi, dobíjecími bateriemi a světelnými zdroji




- Před recyklací výrobku vyjměte všechny baterie, dobíjecí baterie a světelné zdroje.
- Vadné nebo použité baterie vraťte svému prodejci nebo je zlikvidujte ve sběrném dvoře.
- Nevyhazujte baterie, dobíjecí baterie a světelné zdroje do běžného domovního odpadu.
- Pokud budete chtít výrobek definitivně zlikvidovat, informace o příslušném postupu v souladu s platnými předpisy pro likvidaci vám sdělí místní recyklační středisko nebo specializovaný prodejce.
- Výrobek lze bezplatně zlikvidovat.

## 6 Technické údaje

Aktuální prohlášení o shodě EU pro vaše zařízení naleznete na stránce příslušného výrobku na webu [dometic.com](http://dometic.com) nebo se obraťte přímo na výrobce (viz [dometic.com/dealer](http://dometic.com/dealer)).

Tento přístroj vyhovuje předpisu UN ECE R10.

	<b>RCD10.5ES, RCD10.5ET</b>	<b>RCD10.5XES, RCD10.5XET</b>
Obsah		
Objem brutto	176 l	200 l
Chladicí prostor	140 l	159 l
Prostor pro zmrazené potraviny	35,7 l	40,6 l
Napájecí napětí	12 V <sub>DC</sub>	12 V <sub>DC</sub>
Průměrný příkon	75 W	75 W
Spotřeba elektrické energie	0,698 kWh/24 h	0,754 kWh/24 h
Režim PERFORMANCE (VÝKON)	58,1 Ah/24 h	62,6 Ah/24 h
Klimatická třída	N, ST	N, ST
Chladivo	R600a	R600a
Množství chladiva	34 g	34 g
Ekvivalent CO <sub>2</sub>	0,000102 t	0,000102 t
Potenciál skleníkových plynů (GWP)	3	3

	<b>RCD 10.5ES, RCD10.5ET</b>	<b>RCD 10.5XES, RCD10.5XET</b>
Hlukové emise	39 dB(A)	39 dB(A)
Rozměry V x Š x H (v mm)	1283 x 523 x 550	1283 x 523 x 605
Hmotnost	38 kg	39,5 kg
Zkouška/certifikát		

A termék mindenkor szakszerű telepítése, használata és karbantartása érdekében kérjük figyelmesen olvassa el az ebben a termék kézikönyvben található utasításokat, irányelveket és figyelmeztetéseket, valamint mindig tartsa be ezeket. Ezt az útmutatót a termék közelében KELL tartani.

A termék használatba vételével Ön kijelenti hogy figyelmesen elolvasta az összes utasítást, irányelvet és figyelmeztetést, valamint megértette és elfogadja az itt leírt szerződési feltételeket. Ön elfogadja, hogy kizárólag a rendeltetésének megfelelő célra és a jelen termék kézikönyvben leírt útmutatásoknak, irányelveknek és figyelmeztetéseknek, valamint a hatályos törvényeknek és szabályozásoknak megfelelően használja ezt a terméket. Az itt leírt utasítások és figyelmeztetések elolvasásának és betartásának elmulasztása saját és mások sérüléséhez, a termék vagy a közelben található más anyagi javak károsodásához vezethet. Ez a termék kézikönyv és a benne található utasítások, irányelvek és figyelmeztetések, valamint a kapcsolódó dokumentációk módosulhatnak és frissülhetnek. Naprakész termékinformációk érdekében kérjük látogasson el a következő honlapra: documents.dometic.com.

## Tartalom

1	Szimbólumok magyarázata	143
2	Biztonsági útmutatások	144
3	Rendeltetésszerű használat	146
4	A hűtőszekrény beépítése	147
5	Ártalmatlanítás	150
6	Műszaki adatok	150

## 1 Szimbólumok magyarázata



### FIGYELMEZTETÉS!

**Biztonsági útmutatás:** Veszélyes helyzetet jelöl, amely súlyos sérülést vagy halált okozhat, ha nem kerülik el.



### VIGYÁZAT!

**Biztonsági útmutatás:** Veszélyes helyzetet jelöl, amely könnyű vagy mérsékelt sérülést okozhat, ha nem kerülik el.



### FIGYELEM!

Olyan helyzetet jelöl, amely vagyoni kárt okozhat, ha nem kerülik el.



### MEGJEGYZÉS

A termék kezelésére vonatkozó kiegészítő információk.

## 2 Biztonsági útmutatások

### 2.1 Alapvető biztonság



**FIGYELMEZTETÉS!** Ezeknek a figyelmeztetéseknek a figyelmen kívül hagyása súlyos, vagy halálos sérüléshez vezethet.

#### **Áramütés miatti veszély**

- A hűtőszekrény beszerelését és eltávolítását csak szakképzett személyzet végezheti.
- Ne használja a hűtőszekrényt, ha az szemmel láthatóan megsérült.
- Ezen a hűtőszekrényen csak szakember végezhet javításokat. A szakszerűtlen javítások jelentős veszélyeket okozhatnak, ill. a hűtőszekrény károsodhat.
- Ha a hűtőszekrény tápkábele megsérült, akkor azt a biztonsági kockázatok elkerülése érdekében a gyártóval, a vevőszolgálattal vagy egy hasonlóan képzett szakemberrel ki kell cseréltetni.
- A hűtőszekrény elhelyezésekor ügyeljen arra, hogy ne csípjé be és ne károsítsa a tápkábelt.
- A készüléket olyan aljzatba illessze be, amely biztosítja a megfelelő csatlakozást, különösen akkor, ha a készüléket földelni kell.

#### **Tűzveszély**

- A hűtőközeg körben lévő hűtőközeg erősen gyúlékony, és ha a készülék kis méretű helyiségben van, szivárgás esetén gyúlékony gázok képződhetnek.  
A hűtőkör sérülése esetén:
  - Tartsa távol a hűtőszekrénytől a nyílt lángokat és a lehetséges szikraforrásokat.
  - Alaposan szellőztesse a helyiséget.
  - Kapcsolja ki a hűtőszekrényt.

R600a hűtőközeggel üzemelő hűtőszekrényekhez:

- A hűtőkör kis mennyiségű környezetbarát, de gyúlékony hűtőközeget tartalmaz. Nem károsítja az ózonréteget és nem növeli az üvegházhatást. A kiszivárgó hűtőközeg meggyulladhat.
- Ne használja vagy tárolja a hűtőszekrényt olyan zárt helyiségekben, ahol minimális a légáramlás, vagy nincs is ilyen.



- A hűtőszekrény beépítési mélyedésében ne legyenek olyan elektromos alkatrészek és lámpatestek, amelyek normál vagy rendellenes működés közben szikrákat vagy elektromos ívet hoznak létre (pl. relék vagy biztosítékdobozok).

### **Robbanásveszély**

- Üzem közben ne alkalmazzon aeroszoloikat a hűtőszekrény közelében.
- Ne tároljon a hűtőszekrényben robbanásveszélyes anyagokat, például gyúlékony hajtógázt tartalmazó aeroszol-palackokat.

### **Egészségkárosodás veszélye**

- A hűtőkészüléket 8 év feletti gyermekek, valamint korlátozott fizikai, érzékelési és mentális képességű, illetve megfelelő tapasztalattal és tudással nem rendelkező személyek csak felügyelet mellett, illetve a hűtőkészülék biztonságos használatát és az abból eredő veszélyeket megértve használhatják.
- A hűtőkészülék ki- és berakodása 3 és 8 év közötti gyermekek számára engedélyezett.
- A tisztítást és a felhasználói karbantartást gyermekek felügyelet nélkül nem végezhetik.
- A gyermekeket felügyelni kell annak érdekében, hogy ne játsszanak a hűtőszekrényvel.

### **Gyermekek beszorulásának kockázata**

- Gondoskodjon arról, hogy a polcok beszerelése és rögzítése révén a gyermekek ne tudják bezárni magukat a hűtőszekrénybe.
- A régi hűtőkészülék ártalmatlanítása előtt:
  - Szerelje ki a fiókot.
  - Hagyja a polcokat a hűtőszekrényben, hogy gyermekek ne mászhassanak bele.
  - Akassza ki az ajtókat.



### **VIGYÁZAT! Ezeknek a felhívásoknak a figyelmen kívül hagyása könnyű vagy mérsékelt sérüléshez vezethet.**

#### **Egészségkárosodás veszélye**

- A hűtőszekrény instabilitása miatti kockázatok elkerülése érdekében a telepítési utasításoknak megfelelően kell rögzíteni azt.
- Ügyeljen arra, hogy a hűtőszekrényen vagy beépített szerkezeten lévő szellőzőnyílások ne záródjanak el.
- A leolvasztási művelet meggyorsításához a gyártó által javasoltakon kívül ne használjon egyéb mechanikus vagy más készülékeket.

- Semmilyen esetben ne nyissa fel vagy károsítsa a hűtőkört.
- Ne használjon elektromos készülékeket a hűtőszekrény belsejében, kivéve, ha ezeket az elektromos készülékeket a gyártó erre a célra javasolja.

### Sérülés kockázata

- A hűtőszekrényben vagy annak közelében tilos tűzveszélyes anyagokat használni vagy tárolni.
- Ne helyezzen tárgyakat a hűtőszekrényre vagy a hűtőszekrény mellé.
- Ne végezzen módosításokat a hűtőszekrényen.



### FIGYELEM! Károsodás veszélye

- Ellenőrizze, hogy az adattáblán feltüntetett feszültségadat megegyezik-e az áramellátás feszültségadatával.
- Ne helyezze a hűtőszekrényt hőforrások közelébe (fűtés, erős napsugárzás, gázkazán, stb.).
- Mindig tartsa tisztán a kondenzvíz-elvezető csövet.
- A jármű tisztítása során a szellőzőrács területén ne használjon nagy nyomású tisztítóberendezést.
- A hűtőszekrényt védje az esőtől.

## 3 Rendeltetészerű használat

A hűtőszekrény a következő célokra alkalmas:

- Lakókocsikba és lakóautókba történő beépítésre
- Élelmiszerek hűtésére, fagyasztására és tárolására

A hűtőszekrény a következő célokra nem alkalmas:

- Gyógyszerek tárolása
- Korrozív anyagok vagy olyan anyagok tárolása, amelyek oldószereket tartalmaznak
- Élelmiszer gyorsfagyasztása

A hűtőszekrényt rendeltetésének megfelelően egy szekrénybe vagy fülkébe kell beszerelni.

Ez a hűtőszekrény nem alkalmas háztartási készülékként történő használatra.

A fagyasztórekesz előre fagyasztott élelmiszer tárolására, jégkrém készítésére és tárolására és jégkockák készítésére alkalmas. Korábban le nem fagyasztott élelmiszer lefagyasztására nem alkalmas.

## 4 A hűtőszekrény beépítése



### **VIGYÁZAT! Egészségkárosodás veszélye**

A készülék instabilitása miatti kockázatok elkerülése érdekében az utasításoknak megfelelően rögzíteni kell azt.



### **VIGYÁZAT! Sérülés kockázata**

A készülék éles peremekkel rendelkezik. A beszerelés során viseljen kesztyűt.



### **MEGJEGYZÉS**

Ha az abszorpciós hűtőszekrényt kompresszoros hűtőszekrény helyettesíti, gondoskodjon róla, hogy a külső szellőzőrácsok teljesen be legyenek zárva, ellenkező esetben fennáll a veszélye, hogy alacsony környezeti hőmérséklet ( $\sim 0^{\circ}\text{C}$  alatt) a kompresszor nem fog üzemelni.



A dekorlapok és az ajtópánt cseréjéhez az útmutatót online található meg:

[documents.dometic.com/?object\\_id=81907](https://documents.dometic.com/?object_id=81907)

### 4.1 Szerelési hely meghatározása



### **FIGYELEM! Károsodás veszélye**

- A hűtőszekrény nem telepíthető lakóautók hátsó részében, úgy hogy az ajtaja menetirányba néz.
- Az első elindítás előtt legalább 3 órán át hagyja függőleges helyzetben állni a készüléket.

A hűtőszekrény beszerelése során vegye figyelembe a következő megjegyzéseket:

- Biztosítsa, hogy a talaj szilárd és sík legyen. Ezért egyenletes, vízszintes talajon parkoljon le a járművel.
- A hűtőszekrényt úgy kell telepíteni, hogy:
  - szervizeléshez könnyen hozzá lehessen férni
  - könnyű legyen le- és visszaszerelni
  - könnyen el lehessen távolítani a járműből
- Amíg a beszerelés a toléajtó mellé és az utasülés mögé történik, lakóautókban olyan pult alatti egységet is be lehet szerelni, amelynek az ajtója a menetirányba néz.

- A hűtőszekrényt valamilyen bemélyedésbe kell beszerezni, hogy a jármű mozgása során stabilan álljon. Ehhez vegye figyelembe az **1**. ábra, 3. oldal és a **3**. ábra, 4. oldal ábrán látható méreteket.

Vegye figyelembe a következő bemélyedés méreteket (**2**. ábra, 4. oldal):

	<b>RCD 10.ES, RCD 10.5ET</b>	<b>RCD 10.XES, RCD 10.5XET</b>
Hűtőszekrény magassága <b>(A)</b>	1283 mm	1283 mm
Hűtőszekrény szélessége <b>(B)</b>	523 mm	523 mm
Hűtőszekrény mélysége <b>(C)</b> (az 5 mm-es vezérlőgomb nélkül)	550 mm	605 mm
Bemélyedés magassága <b>(H)</b>	1290 mm	1290 mm
Bemélyedés szélessége <b>(W)</b>	528 mm	528 mm
Bemélyedés mélysége <b>(D)</b>	568 mm	623 mm

- Annak érdekében hogy az ajtó megfelelően nyitható legyen, a hűtőszekrényt a padlótól legalább 5 mm távolságra kell felállítani (**3**. ábra, 4. oldal).
  - Ügyeljen arra, hogy semmilyen szőnyeg ne akadályozza az ajtó szabad mozgását.
  - Ne helyezze közvetlenül a padlóra a hűtőszekrényt.

## 4.2 A kondenzvíz-elvezető cső beszerelése

A gyakori ajtónyitás, a nem megfelelően tárolt élelmiszerek és a behelyezéskor túlságosan meleg ételek miatt kondenzáció képződhet a hűtőszekrény belsejében. A kondenzvizet állandó lejtés mellett szükséges elvezetni.

Az alábbi módon szerelje be a kondenzvíz-elvezető csövet:

- ▶ Vezesse kívülre a kondenzvíz-tömlőt a hűtőszekrénytől a padló nyílásán át.

### 4.3 Áramellátás csatlakoztatása



Az elektromos áramellátást olyan szakképzett villanyszerelőnek kell csatlakoztatnia, aki bizonyítottan rendelkezik az elektromos berendezések és szerelvények építésével és működtetésével kapcsolatos készségekkel és ismeretekkel, és az ezzel járó veszélyek felismerése és elkerülése érdekében biztonsági képzésben részesült.



#### FIGYELEM! Károsodás veszélye

- Feszültség-, és ezzel teljesítményveszteségek elkerülése érdekében a csatlakozókábelt lehetőleg röviden és megszakításmentesen kell kialakítani. Emiatt célszerű elkerülni kiegészítő kapcsolók, dugaszok vagy elosztóaljzatok használatát.
- A készülék csatlakoztatása előtt ellenőrizze, hogy az üzemi feszültség és az akkumulátorfeszültség egyezik-e (lásd a típustáblát).
- A 12 V $\equiv$  áramellátás csatlakoztatásánál vegye figyelembe a megfelelő polaritást.

1. A kábel szükséges keresztmetszetét a kábelhossz függvényében határozza meg a következő szerint: **4**. ábra, 5. oldal.
2. Csatlakoztassa a kábeleket a hűtőszekrény AMP csatlakozójához (**5**. ábra, 5. oldal).
3. Csatlakoztassa a kábel másik végét egy 12 V $\equiv$  áramellátáshoz:
  - rd (piros): védő biztosítókkal (10 A) a pozitív (+) sarokra kapcsolva
  - bk (fekete): a negatív (-) sarokra kapcsolva

### 4.4 A hűtőszekrény rögzítése



#### FIGYELEM! Károsodás veszélye

A furatokat minden esetben az erre a célra szolgáló perselyekbe készítse, ellenkező esetben a habanyaggal rögzített alkatrészek, például a kábelek megsérülhetnek.



#### MEGJEGYZÉS

- Az oldalfalakat vagy a felszerelt léceket úgy rögzítse, hogy a csavarok erősebb igénybevétel esetén (menet közben) is szilárdan rögzítsenek.
- A hűtőszekrény szabályozott levegőáramlást biztosít. További hely hagyása a hűtőszekrény és a falkivágások között nem javasolt.

1. Mozgassa a hűtőszekrényt a végleges helyére, az első perem szorosan illeszkedjen a bemélyedés elő részéhez.
2. A hűtőszekrény oldalfalában található műanyag perselyen át tekerje be a csavarokat (6. ábra, 6. oldal) a fülke falába.
3. Helyezze fel a fedőkupakokat a csavarfejekre.

## 5 Ártalmatlanítás



### FIGYELEM!

A hűtőkészülék szigetelése gyúlékony ciklopentánt tartalmaz, amely speciális ártalmatlanítási eljárásokat igényel. Élettartama végén megfelelő hulladékkezelő központban adja le a hűtőkészüléket.



- A csomagolóanyagot lehetőleg a megfelelő újrahasznosítható hulladékokhoz tegye.
- A termékre vonatkozó ártalmatlanítási előírásokról tájékozódjon a legközelebbi újrahasznosító központban, vagy szakkereskedőjénél.

### Az elemeket, akkumulátorokat és fényforrásokat tartalmazó termékek újrahasznosítása




- A termék újrahasznosítása előtt távolítsa el az elemeket, akkumulátorokat és a fényforrásokat.
- Adja le a meghibásodott akkumulátorokat vagy elhasznált elemeket a kereskedőnél vagy egy gyűjtőhelyen.
- Ne dobja az elemeket, akkumulátorokat és fényforrásokat az általános háztartási hulladékba.
- A termék végleges üzemén kívül helyezése esetén tájékozódjon a legközelebbi újrahasznosító központban vagy szakkereskedőjénél a vonatkozó ártalmatlanítási előírásokról.
- A termék ingyenesen ártalmatlanítható.

## 6 Műszaki adatok

Készüléke aktuális EU-megfelelőségi nyilatkozatát a [dometic.com](http://dometic.com) honlap megfelelő termékoldalán találhatja meg, vagy vegye fel a kapcsolatot közvetlenül a gyártóval (lásd: [dometic.com/dealer](http://dometic.com/dealer)).

Ez a készülék megfelel az UN ECE R10 szabályozásnak.

	<b>RCD 10.5ES, RCD 10.5ET</b>	<b>RCD 10.5XES, RCD 10.5XET</b>
Kapacitás		
Bruttó úrtartalom	176 l	200 l
Hűtőrész	140 l	159 l
Fagyasztórész	35,7 l	40,6 l
Csatlakozási feszültség	12 V $\overline{=}$	12 V $\overline{=}$
Átlagos áramfelvétel	75 W	75 W
Energiafogyasztás PERFORMANCE üzemmód	0,698 kWh/24 h 58,1 Ah/24 h	0,754 kWh/24 h 62,6 Ah/24 h
Klímaosztály	N, ST	N, ST
Hűtőközeg	R600a	R600a
Hűtőközeg készletmennyisége	34 g	34 g
CO <sub>2</sub> egyenérték	0,000102 t	0,000102 t
Üvegház-potenciál (GWP)	3	3
Zajkibocsátás	39 dB(A)	39 dB(A)
Méreték, szélesség x magasság x mélység (mm-ben)	1283 x 523 x 550	1283 x 523 x 605
Súly	38 kg	39,5 kg
Vizsgálat/tanúsítvány		

Pozorno preberite in upoštevajte vsa navodila, smernice in opozorila iz tega priročnika, da zagotovite pravilno vgradnjo, uporabo in vzdrževanje izdelka. Ta navodila je TREBA hraniti skupaj z izdelkom.

Z uporabo izdelka potrjujete, da ste pozorno prebrali vsa navodila, smernice in opozorila ter razumete in upoštevate vsa določila ter pogoje v tem dokumentu. Strinjate se, da boste izdelek uporabljali samo za predvideni namen uporabe in v skladu z navodili, smernicami in opozorili v tem priročniku ter v skladu z vsemi veljavnimi zakoni in predpisi. Če navodil in opozoril v nadaljevanju ne preberete in ne upoštevate, lahko poškodujete sebe in druge, svoj izdelek ali povzročite materialno škodo v bližini. Pridržujemo si pravico do sprememb in posodobitev priročnika, vključno z navodili, smernicami in opozorili ter povezano dokumentacijo. Za najnovejše informacije o izdelku obiščite [documents.dometic.com](http://documents.dometic.com).

## Vsebina

1	Razlaga simbolov	152
2	Varnostni napotki	153
3	Predvidena uporaba	155
4	Vgradnja hladilnika	156
5	Odstranjevanje	159
6	Tehnični podatki	159

## 1 Razlaga simbolov



### OPOZORILO!

**Varnostni napotki:** Označuje nevarno situacijo, ki lahko povzroči smrt ali hude poškodbe, če ni preprečena.



### POZOR!

**Varnostni napotki:** Označuje nevarno situacijo, ki lahko povzroči lažje ali zmerne poškodbe, če ni preprečena.



### OBVESTILO!

Označuje nevarno situacijo, ki lahko povzroči materialno škodo, če ni preprečena.



### NASVET

Dodatne informacije za upravljanje izdelka.



## 2 Varnostni napotki

### 2.1 Osnovna varnost



**OPOZORILO! Neupoštevanje teh opozoril lahko povzroči smrt ali hude poškodbe.**

#### **Nevarnost električnega udara**

- Vgradnjo in odstranitev hladilnika sme opraviti samo ustrezno usposobljeno osebe.
- Če na hladilniku opazite vidne znake poškodb, ga ne uporabljajte.
- Vsa popravila na tem hladilniku naj izvajajo samo ustrezno usposobljeni serviserji. Neustrezna popravila so lahko zelo nevarna, lahko pa tudi poškodujejo hladilnik.
- Če je priključni kabel tega hladilnika poškodovan, ga mora zamenjati proizvajalec, njegova servisna služba oziroma ustrezno usposobljena oseba ali služba. V nasprotnem primeru obstaja nevarnost za uporabnika.
- Pri nameščanju hladilnika bodite pozorni, da napajalnega kabla ne boste zagostili ali poškodovali.
- Napravo priključite v vtičnice, ki zagotavljajo ustrezno zaščito, predvsem ko mora biti naprava ozemljena.

#### **Nevarnost požara**

- Hladilno sredstvo v hladilnem krogotoku je lahko vnetljivo, v primeru puščanja pa lahko pride do nakopičenja gorljivih plinov, če je naprava v majhnem prostoru.  
Če se hladilni krogotok poškoduje:
  - Hladilniku ne približujte odprtih plamenov ali drugih potencialnih virov vžiga.
  - Prostor dobro prezračite.
  - Izklopite hladilnik.

Za hladilnike s hladilnim sredstvom R600a:

- Hladilni krogotok vsebuje majhno količino okolju prijaznega, vendar vnetljivega hladilnega sredstva. Ne škodi ozonski plasti in ne povečuje toplogrednega učinka. Iztečeno hladilno sredstvo se lahko vname.
- Hladilnika ne uporabljajte in ne hranite v zaprtih prostorih brez pretoka zraka ali s slabim pretokom zraka.

- V vgradnih odprtinah za hladilnik ne sme biti električnih sestavnih delov in luči, ki bi med običajnim in neobičajnim delovanjem proizvajali iskre ali obloke (na primer relejev ali razdelilnih omaric).

### **Nevarnost eksplozije**

- Med delovanjem hladilnika v njegovi bližini ne uporabljajte razpršil.
- V hladilniku ne skladiščite eksplozivnih substanc kot npr. razpršilnikov s potisnim plinom.

### **Nevarnost za zdravje**

- Ta hladilnik smejo uporabljati otroci, ki so starejši od 8 let, in osebe z zmanjšanimi fizičnimi, zaznavnimi ali duševnimi sposobnostmi ali s pomanjkljivimi izkušnjami in znanjem, če so nadzorovani ali so prejeli navodila glede varne uporabe hladilnika in razumejo s tem povezana tveganja.
- Otroci, ki so stari od 3 do 8 let, smejo hladilnik polniti in prazniti.
- Čiščenja in uporabniškega vzdrževanja ne smejo izvajati otroci brez nadzora.
- Otroke je treba nadzorovati in tako zagotoviti, da se s hladilnikom ne bodo igrali.

### **Nevarnost zagozditve otrok**

- Prepričajte se, da so police nameščene in zavarovane, da se otroci ne bodo mogli zapreti v hladilnik.
- Preden odstranite svoj stari hladilnik:
  - Odstranite predale.
  - Police pustite v hladilniku, da otroci ne bodo mogli zlesti v hladilnik.
  - Snemite vrata.



### **POZOR! Neupoštevanje teh svaril lahko povzroči lažje ali srednje poškodbe.**

### **Nevarnost za zdravje**

- Da bi preprečili nevarnost zaradi nestabilnosti hladilnika, ga je treba pritrditi v skladu z navodili za vgradnjo.
- Prezračevalne odprtine v ohišju hladilnika ali vgradni enoti ne smejo biti zakrite.
- Da bi pospešili odtajanje, ne uporabljajte mehanskega ali drugega orodja, ki ga ni priporočil proizvajalec.
- Hladilnega krogotoka ne smete odpirati ali poškodovati.

- V predalih za živila v hladilniku ne uporabljajte električnih naprav, razen če te električne naprave priporoča proizvajalec.

### **Nevarnost telesnih poškodb**

- V hladilniku ali v bližini hladilnika ne uporabljajte in ne hranite vnetljivih materialov.
- Na hladilnik ali ob hladilnik ne polagajte predmetov.
- Hladilnika ne spreminjajte.



### **OBVESTILO! Nevarnost poškodb**

- Preverite, ali se podatki o napetosti na podatkovni ploščici ujemajo s podatki na napajanju.
- Hladilnika ne namestite v bližino toplotnih virov (grelcev, neposredne sončne svetlobe, plinskih peči itd.).
- Kondenzacijski odtok mora biti vedno čist.
- Pri čiščenju vozila v območju prezračevalne mreže ne uporabljajte visokotlačnega čistilnika z vodo.
- Hladilnik ne sme biti izpostavljen dežju.

## **3 Predvidena uporaba**

Hladilnik je primeren za:

- namestitev v prikolicah in avtodomih;
- hlajenje, zamrzovanje in shranjevanje živil.

Hladilnik ni primeren za:

- shranjevanje zdravil,
- shranjevanje korozivnih snovi ali snovi, ki vsebujejo topila;
- hitro zamrzovanje živil.

Hladilnik je predviden za vgradnjo v omarico ali vgradno nišo.

Hladilnik ni predviden za uporabo v gospodinjstvu.

Zamrzovalni predel je primeren za shranjevanje predhodno zamrznjene hrane, shranjevanje ali pripravo sladoleda in kock ledu. Ni pa primeren za zamrzovanje predhodno odmrznjenih živil.

## 4 Vgradnja hladilnika



### **POZOR! Nevarnost za zdravje**

Da bi preprečili nevarnost zaradi nestabilnosti naprave, jo je treba pritrditi v skladu s temi navodili.



### **POZOR! Nevarnost telesnih poškodb**

Naprava ima ostre robove. Med montažo nosite rokavice.



### **NASVET**

Če boste s kompresorskim hladilnikom zamenjali absorpcijski hladilnik, morate zagotoviti, da bodo zunanje prezračevalne rešetke popolnoma zaprte, sicer obstaja nevarnost, da kompresor ne bo deloval pri nizkih temperaturah okolice (~pod 0 °C).



Navodila za zamenjavo dekorativne plošče in tečaja vrat so na voljo na spletu na naslovu:

[documents.dometic.com/?object\\_id=81907](https://documents.dometic.com/?object_id=81907)

### 4.1 Izbiranje mesta montaže



### **OBVESTILO! Nevarnost poškodb**

- Hladilnika ni dovoljeno vgraditi v zadnji del avtodoma z vrati obrnjenimi v smeri vožnje.
- Napravo pustite v pokončnem položaju vsaj 3 ure, preden jo prvič zaženete.

Pri vgradnji hladilnika upoštevajte naslednje napotke:

- Tla morajo biti trdna in ravna.  
Zato vozilo parkirajte na ravnem terenu.
- Hladilnik je treba vgraditi tako, da:
  - je dobro dostopen za servisiranje;
  - ga je mogoče z lahkoto demontirati in vgraditi;
  - ga je mogoče brez težav odnesti iz vozila.
- V počitniških prikolicah je mogoče podpultno napravo namestiti z vrati proti smeri vožnje, če je nameščena ob drsnih vratih in za sopotnikovim sedežem.
- Hladilnik mora biti vgrajen v nišo, da pri premikanju vozila ostane na mestu. Pri tem upoštevajte mere na sl. **1**, stran 3 in sl. **3**, stran 4.

Upoštevajte mere niše (sl. **2**, stran 4):

	RCD 10.ES, RCD 10.5ET	RCD 10.XES, RCD 10.5XET
Višina hladilnika (A)	1283 mm	1283 mm
Širina hladilnika (B)	523 mm	523 mm
Globina hladilnika (C) (ne vključuje upravljalnega gumba 5 mm)	550 mm	605 mm
Višina niše (H)	1290 mm	1290 mm
Širina niše (W)	528 mm	528 mm
Globina niše (D)	568 mm	623 mm

- Hladilnik mora ob namestitvi biti vsaj 5 mm odmaknjen od tal, da se bodo vrata lahko pravilno odpirala (sl. **3**, stran 4).
  - Preproge ne smejo ovirati premikanja vrat.
  - Hladilnika ne postavljajte neposredno na tla.

## 4.2 Vgradnja kondenzacijskega odtoka

V hladilniku se lahko zaradi pogostega odpiranja vrat, nepravilno hranjenih živil ali živil, ki jih v hladilnik damo tople, nabere kondenzat. Kondenzat je treba odvajati pod stalnim naklonom.

Vgradite kondenzacijski odtok, kot je navedeno v nadaljevanju:

- Gibko cev za kondenzat speljite od hladilnika skozi odprtino v tleh, ki vodi ven.

## 4.3 Priključitev napajanja



Električno napajanje mora priključiti usposobljeni električar, ki je dokazal spretnosti in znanje glede sestave in delovanja električne opreme in inštalacij ter je opravil varnostno usposabljanje za prepoznavanje in preprečevanje nevarnosti.



### OBVESTILO! Nevarnost poškodb

- Da bi preprečili izgubo napetosti in posledično zmanjšanje zmogljivosti, mora biti kabel čim krajši in ne sme biti prekinjen, če je to mogoče. Zato ne uporabljajte dodatnih stikal, vtičev ali razdelilnikov.
- Pred priključitvijo preverite, ali sta delovna napetost in akumulatorska napetost enaki (glejte tipsko ploščico).
- Ob priključitvi na 12-V $\equiv$  napajanje preverite pravilno polariteto.

1. Potrebni presek kabla določite glede na dolžino kabla v skladu z sl. **4**, stran 5.
2. Kabla priključite na priključek AMP na hladilniku (sl. **5**, stran 5).
3. Druga konca kablov priključite na 12-V $\equiv$  napajanje:
  - rd (rdeča): z varovalko (10 A) na pozitivni pol (+)
  - bk (črna): na negativni pol (-)

## 4.4 Pritrjevanje hladilnika



### OBVESTILO! Nevarnost poškodb

Vedno vrtajte skozi za to predvidene puše, ker se sicer lahko poškodujejo deli, obdani s peno, kot so vodniki.



### NASVET

- Stranice ali pritrjene letve pritrдите tako, da vijaki čvrsto držijo tudi v primeru večjih obremenitev (med vožnjo).
- Hladilnik je zasnovan za zagotavljanje reguliranega pretoka zraka. Ni priporočljivo pustiti dodatnega prostora med hladilnikom in sosednjimi stenami.

1. Hladilnik postavite na mesto, kjer ga boste uporabljali, da bo sprednja prirobnica tesno prilegala ob sprednji rob niše.
2. Vijake (sl. **6**, stran 6) privijte skozi plastične puše v stranskih stenah hladilnika in naprej v steno.
3. Glave vijakov prekrijte s pokrovčki.

## 5 Odstranjevanje



### OBVESTILO!

Izolacija hladilne naprave vsebuje vnetljiv ciklopentan, zato je za odstranjevanje treba upoštevati posebne postopke. Hladilno napravo po koncu življenjske dobe predajte ustreznemu zbirnemu centru.



- ▶ Embalažni material odstranite v primerne zabojnike za recikliranje odpadkov, če je to mogoče.
- ▶ Pri lokalnem centru za zbiranje odpadkov ali specializiranem prodajalcu se pozanimajte glede odstranjevanja izdelka v skladu z veljavnimi predpisi.

### Recikliranje izdelkov z baterijami, baterijami za ponovno polnjenje in svetlobnimi viri




- ▶ Pred recikliranjem izdelka odstranite morebitne baterije, baterije za ponovno polnjenje in svetlobne vire.
- ▶ Poškodovane ali rabljene baterije vrnite prodajalcu oz. jih odnesite v zbirni center.
- ▶ Baterij, baterij za ponovno polnjenje in svetlobnih virov ne odlagajte med gospodinjske odpadke.
- ▶ Ko boste želeli izdelek dokončno odstraniti, se o odstranjevanju v skladu z veljavnimi predpisi pozanimajte pri lokalnem centru za zbiranje odpadkov ali specializiranem prodajalcu.
- ▶ Izdelek je mogoče brezplačno odstraniti.

## 6 Tehnični podatki

Za trenutno izjavo EU o skladnosti za vaš aparat glejte zadevno stran z izdelki na spletnem mestu [dometic.com](http://dometic.com) ali se obrnite neposredno na proizvajalca (glejte [dometic.com/dealer](http://dometic.com/dealer)).

Ta naprava je v skladu s predpisom UN ECE R10.

	<b>RCD 10.5ES, RCD 10.5ET</b>	<b>RCD 10.5XES, RCD 10.5XET</b>
Prostornina		
Bruto prostornina	176 l	200 l
Hladilni predel	140 l	159 l
Zamrzovalni predel	35,7 l	40,6 l
Priključna napetost	12 V $\equiv$	12 V $\equiv$
Povprečna poraba moči	75 W	75 W
Poraba električne energije PERFORMANCE način	0,698 kWh/24 h 58,1 Ah/24 h	0,754 kWh/24 h 62,6 Ah/24 h
Klimatski razred	N, ST	N, ST
Hladilno sredstvo	R600a	R600a
preostala količina hladilnega sredstva	34 g	34 g
Ekvivalent CO <sub>2</sub>	0,000102 t	0,000102 t
Potencial globalnega segreva- nja (GWP)	3	3
Emisije hrupa	39 dB(A)	39 dB(A)
Mere V x Š x G (v mm)	1283 x 523 x 550	1283 x 523 x 605
Masa:	38 kg	39,5 kg
Pregled/certifikat		



Παρακαλούμε να διαβάσετε προσεκτικά το παρόν έγγραφο και να ακολουθήσετε όλες τις οδηγίες, τους κανονισμούς και τις προειδοποιήσεις που περιλαμβάνονται στο εγχειρίδιο αυτού του προϊόντος, έτσι ώστε να διασφαλίζεται πάντοτε η σωστή εγκατάσταση, χρήση και συντήρηση του προϊόντος. Αυτές οι οδηγίες ΠΡΕΠΕΙ πάντοτε να συνοδεύουν το προϊόν.

Με τη χρήση του προϊόντος επιβεβαιώνετε δια του παρόντος ότι έχετε διαβάσει προσεκτικά όλες τις οδηγίες, τους κανονισμούς και τις προειδοποιήσεις καθώς και ότι έχετε κατανοήσει και αποδέχεστε να τηρήσετε τους όρους και τις προϋποθέσεις που ορίζονται στο παρόν έγγραφο. Συμφωνείτε να χρησιμοποιείτε αυτό το προϊόν μόνο για τον προβλεπόμενο σκοπό και την προβλεπόμενη χρήση, πάντοτε σύμφωνα με τις οδηγίες, τους κανονισμούς και τις προειδοποιήσεις που ορίζονται στο παρόν εγχειρίδιο προϊόντος καθώς και σύμφωνα με όλους τους ισχύοντες νόμους και κανονισμούς. Σε περίπτωση μη ανάγνωσης και τήρησης των οδηγιών και των προειδοποιήσεων που ορίζονται στο παρόν έγγραφο, ενδέχεται να προκληθούν τραυματισμοί σε εσάς τον ίδιο και σε τρίτους, ζημιά στο προϊόν σας ή υλικές ζημιές σε άλλες ιδιοκτησίες στο άμεσο περιβάλλον. Αυτό το εγχειρίδιο προϊόντος, συμπεριλαμβανομένων των οδηγιών, των κανονισμών, των προειδοποιήσεων και των σχετικών εγγράφων, ενδέχεται να υποβληθεί σε τροποποιήσεις και ενημερώσεις. Για τις ενημερωμένες πληροφορίες προϊόντος, επισκεφθείτε την ηλεκτρονική διεύθυνση [documents.domestic.com](http://documents.domestic.com).

## Περιεχόμενα

1	Επεξήγηση των συμβόλων . . . . .	161
2	Υποδείξεις ασφαλείας . . . . .	162
3	Προβλεπόμενη χρήση . . . . .	165
4	Τοποθέτηση του ψυγείου . . . . .	165
5	Απόρριψη . . . . .	169
6	Τεχνικά χαρακτηριστικά . . . . .	170

## 1 Επεξήγηση των συμβόλων



### ΠΡΟΕΙΔΟΠΟΙΗΣΗ!

**Οδηγία ασφαλείας:** Καταδεικνύει μια επικίνδυνη κατάσταση, η οποία εάν δεν αποτραπεί, μπορεί να προκληθεί θανατηφόρο ατύχημα ή σοβαρός τραυματισμός.



### ΠΡΟΦΥΛΑΞΗ!

**Οδηγία ασφαλείας:** Καταδεικνύει μια επικίνδυνη κατάσταση, η οποία εάν δεν αποτραπεί, μπορεί να προκληθεί μικρής ή μέτριας σοβαρότητας τραυματισμός.



### ΠΡΟΣΟΧΗ!

Καταδεικνύει μια κατάσταση, η οποία εάν δεν αποτραπεί, μπορεί να προκληθούν υλικές ζημιές.



### ΥΠΟΔΕΙΞΗ

Συμπληρωματικά στοιχεία για τον χειρισμό του προϊόντος.

## 2 Υποδείξεις ασφαλείας

### 2.1 Βασική ασφάλεια



**ΠΡΟΕΙΔΟΠΟΙΗΣΗ!** Η μη τήρηση αυτών των προειδοποιήσεων ενδέχεται να έχει ως αποτέλεσμα την πρόκληση θανάτου ή σοβαρού τραυματισμού.

#### Κίνδυνος ηλεκτροπληξίας

- Η τοποθέτηση και η αφαίρεση του ψυγείου επιτρέπεται να πραγματοποιούνται μόνο από ειδικευμένο προσωπικό.
- Μη θέσετε σε λειτουργία το ψυγείο, εάν παρουσιάζει εμφανείς ζημιές.
- Οι εργασίες επισκευής του ψυγείου επιτρέπεται να πραγματοποιούνται μόνο από ειδικευμένο τεχνικό προσωπικό. Τυχόν μη ενδεδειγμένες επισκευές ενδέχεται να οδηγήσουν σε σοβαρό κίνδυνο ή ζημιά στο ψυγείο.
- Εάν προκληθεί ζημιά στο καλώδιο τροφοδοσίας αυτού του ψυγείου, το καλώδιο πρέπει να αντικατασταθεί από τον κατασκευαστή, έναν τεχνικό του τμήματος εξυπηρέτησης πελατών ή έναν άλλο τεχνικό με παρόμοια εξειδίκευση, για να αποφευχθούν τυχόν κίνδυνοι ασφαλείας.
- Κατά την τοποθέτηση του ψυγείου, βεβαιωθείτε ότι το καλώδιο τροφοδοσίας δεν μαγκώνεται ή υφίσταται ζημιά.
- Συνδέστε τη συσκευή σε πρίζες που διασφαλίζουν τη σωστή σύνδεση, ειδικά εάν η συσκευή πρέπει να είναι γειωμένη.

#### Κίνδυνος πυρκαγιάς

- Το ψυκτικό μέσο στο κύκλωμα ψυκτικού μέσου είναι ιδιαίτερα εύφλεκτο και σε περίπτωση διαρροής, ενδέχεται να συσσωρευτούν εύφλεκτα αέρια, εάν η συσκευή βρίσκεται σε μικρό χώρο. Σε περίπτωση ζημιάς στο κύκλωμα ψυκτικού μέσου:
  - Διατηρήστε τις γυμνές φλόγες και πιθανές πηγές ανάφλεξης μακριά από το ψυγείο.
  - Αερίστε καλά τον χώρο.
  - Απενεργοποιήστε το ψυγείο.

Για ψυγεία με ψυκτικό μέσο R600a:

- Το κύκλωμα ψυκτικού μέσου περιέχει μια μικρή ποσότητα ενός φιλικού προς το περιβάλλον, αλλά εύφλεκτου ψυκτικού μέσου. Δεν προκαλεί ζημιά στο στρώμα του όζοντος και δεν αυξάνει το φαινόμενο του θερμοκηπίου. Σε περίπτωση διαρροής, το ψυκτικό μέσο ενδέχεται να αναφλεγεί.
- Μη χρησιμοποιείτε ή αποθηκεύετε το ψυγείο σε περιορισμένους χώρους χωρίς καθόλου ή με ελάχιστη ροή αέρα.
- Διατηρήστε την εσοχή τοποθέτησης για το ψυγείο ελεύθερη από τυχόν ηλεκτρικά εξαρτήματα και φωτιστικά σώματα, τα οποία ενδέχεται κατά τη φυσιολογική ή τη μη φυσιολογική λειτουργία τους να παράξουν σπινθήρες ή ηλεκτρικά τόξα (π.χ. ρελέ ή ασφαλειοθήκες).

### **Κίνδυνος έκρηξης**

- Μην ψεκάζετε αερολύματα κοντά σε αυτό το ψυγείο, όταν βρίσκεται σε λειτουργία.
- Μην αποθηκεύετε καμία εκρηκτική ουσία στο ψυγείο, όπως π.χ. φιάλες αερολυμάτων με προωθητικά αέρια.

### **Κίνδυνος για την υγεία**

- Αυτό το ψυγείο μπορεί να χρησιμοποιηθεί από παιδιά ηλικίας 8 ετών και επάνω και άτομα με μειωμένες φυσικές, αισθητηριακές ή πνευματικές ικανότητες ή με έλλειψη εμπειρίας και γνώσεων, εάν επιτηρούνται ή τους έχουν δοθεί οδηγίες σχετικά με τη χρήση του ψυγείου με ασφαλή τρόπο και κατανοούν τους σχετικούς κινδύνους.
- Τα παιδιά ηλικίας 3 έως 8 ετών επιτρέπεται να γεμίζουν και να αδειάζουν το ψυγείο.
- Ο καθαρισμός και η συντήρηση χρήστη δεν επιτρέπεται να πραγματοποιούνται από παιδιά χωρίς επιτήρηση.
- Τα παιδιά θα πρέπει να επιτηρούνται, ώστε να διασφαλίζεται ότι δεν παίζουν με το ψυγείο.

### **Κίνδυνος παγίδευσης για παιδιά**

- Βεβαιωθείτε ότι τα ράφια είναι τοποθετημένα και ασφαλισμένα, έτσι ώστε να μην είναι δυνατόν να κλειδωθούν παιδιά μέσα στο ψυγείο.

- Πριν από την απόρριψη του παλιού σας ψυγείου:
  - Αποσυναρμολογήστε τα συρτάρια.
  - Αφήστε τα ράφια μέσα στο ψυγείο ώστε να μην μπορούν να μπουν μέσα τα παιδιά.
  - Αφαιρέστε τις πόρτες.



**ΠΡΟΦΥΛΑΞΗ! Η μη τήρηση αυτών των συστάσεων ενδέχεται να έχει ως αποτέλεσμα την πρόκληση ελαφρού ή μέτριου τραυματισμού.**

#### **Κίνδυνος για την υγεία**

- Για την αποφυγή τυχόν κινδύνων λόγω αστάθειας του ψυγείου, η συσκευή πρέπει να στερεώνεται σύμφωνα με τις οδηγίες τοποθέτησης.
- Διατηρήστε τα ανοίγματα αερισμού στο ψυγείο και στο περιβλημά του ή στην κατασκευή εντοιχισμού ανοιχτά και χωρίς εμπόδια.
- Μη χρησιμοποιείτε μηχανικές διατάξεις ή άλλα μέσα για να επιταχύνετε τη διαδικασία απόψυξης, τα οποία δεν συνιστώνται από τον κατασκευαστή.
- Μην ανοίγετε ή προκαλείτε σε καμία περίπτωση ζημιά στο κύκλωμα ψυκτικού μέσου.
- Μη χρησιμοποιείτε ηλεκτρικές συσκευές στο εσωτερικό του ψυγείου, εκτός εάν συνιστώνται από τον κατασκευαστή για το σκοπό αυτό.

#### **Κίνδυνος τραυματισμού**

- Μη χρησιμοποιείτε ή αποθηκεύετε εύφλεκτα υλικά μέσα ή κοντά σε αυτό το ψυγείο.
- Μην τοποθετείτε ή στηρίζετε πράγματα επάνω σε αυτό το ψυγείο.
- Μην τροποποιείτε αυτό το ψυγείο.



#### **ΠΡΟΣΟΧΗ! Κίνδυνος πρόκλησης ζημιάς**

- Συγκρίνετε την προδιαγραφή τάσης στην πινακίδα στοιχείων με την υπάρχουσα τροφοδοσία ηλεκτρικού ρεύματος.
- Μην τοποθετείτε το ψυγείο κοντά σε πηγές θερμότητας (θερμάστρες, άμεση ηλιακή ακτινοβολία, φούρνους αερίου κ.λπ.).
- Διατηρείτε τον σωλήνα αποστράγγισης συμπυκνωμάτων πάντοτε καθαρό.

- Κατά τον καθαρισμό του οχήματος, μη χρησιμοποιείτε συσκευές καθαρισμού υψηλής πίεσης κοντά στο πλέγμα αερισμού.
- Το ψυγείο δεν πρέπει να εκτίθεται στη βροχή.

### 3 Προβλεπόμενη χρήση

Το ψυγείο είναι κατάλληλο για:

- Τοποθέτηση σε συρόμενα και αυτοκινούμενα τροχόσπιτα
- Ψύξη, κατάψυξη και αποθήκευση τροφίμων

Το ψυγείο δεν είναι κατάλληλο για:

- Αποθήκευση φαρμάκων
- Αποθήκευση διαβρωτικών ουσιών ή ουσιών που περιέχουν διαλύτες
- Τρόφιμα ταχείας κατάψυξης

Το ψυγείο προορίζεται για εγκατάσταση σε ντουλάπι ή εσοχή τοποθέτησης.

Αυτό το ψυγείο δεν προορίζεται για οικιακή χρήση.

Ο χώρος κατάψυξης είναι κατάλληλος για την αποθήκευση προκατεψυγμένων τροφίμων, την αποθήκευση ή την παρασκευή παγωτού και για να φτιάχνετε παγάκια. Δεν ενδείκνυται για την κατάψυξη τροφίμων που προηγουμένως έχουν ξεπαγώσει.

### 4 Τοποθέτηση του ψυγείου



#### **ΠΡΟΦΥΛΑΞΗ! Κίνδυνος για την υγεία**

Για την αποφυγή τυχόν κινδύνων λόγω αστάθειας της συσκευής, η συσκευή πρέπει να στερεώνεται σύμφωνα με τις οδηγίες.



#### **ΠΡΟΦΥΛΑΞΗ! Κίνδυνος τραυματισμού**

Η συσκευή έχει αιχμηρές ακμές. Φορέστε γάντια κατά την τοποθέτηση.



### ΥΠΟΔΕΙΞΗ

Εάν το ψυγείο συμπιεστή αντικαθιστά ένα ψυγείο με φύξη απορρόφησης, πρέπει να βεβαιωθείτε ότι τα εξωτερικά πλέγματα αερισμού είναι εντελώς κλειστά, διότι διαφορετικά υπάρχει κίνδυνος ο συμπιεστής να μην λειτουργεί σε χαμηλή θερμοκρασία περιβάλλοντος (~κάτω από τους 0 °C).



Τις οδηγίες για την αλλαγή της διακοσμητικής πλάκας και του μεντεσέ πόρτας θα τις βρείτε online στην ηλεκτρονική διεύθυνση:

[documents.dometic.com/?object\\_id=81907](https://documents.dometic.com/?object_id=81907)

## 4.1 Επιλογή ενός σημείου τοποθέτησης



### ΠΡΟΣΟΧΗ! Κίνδυνος πρόκλησης ζημιάς

- Το ψυγείο δεν επιτρέπεται να τοποθετηθεί στο πίσω μέρος των αυτοκινούμενων τροχόσπιτων με την πόρτα προς την κατεύθυνση κίνησης.
- Αφήστε τη συσκευή σε κατακόρυφη θέση για τουλάχιστον 3 ώρες πριν την θέσετε σε λειτουργία για πρώτη φορά.

Κατά την τοποθέτηση του ψυγείου, λάβετε υπόψη τις παρακάτω οδηγίες:

- Βεβαιωθείτε ότι το δάπεδο είναι σταθερό και επίπεδο. Σταθμεύστε το όχημα σε οριζόντιο έδαφος για τον σκοπό αυτό.
- Το ψυγείο πρέπει να εγκαθίσταται κατά τέτοιον τρόπο, ώστε:
  - να είναι εύκολα προσβάσιμο για τις εργασίες σέρβις
  - να μπορεί να απεγκατασταθεί και να εγκατασταθεί εύκολα
  - να μπορεί να αφαιρεθεί εύκολα από το όχημα
- Σε αυτοκινούμενα τροχόσπιτα, μια μονάδα υποτοιχισμού μπορεί να εγκατασταθεί με την πόρτα να δείχνει προς την κατεύθυνση κίνησης, εφόσον τοποθετείται δίπλα στη συρόμενη πόρτα και πίσω από το κάθισμα του συνοδηγού.
- Το ψυγείο πρέπει να τοποθετηθεί σε μια εσοχή, ώστε να παραμένει ασφαλισμένο, όταν το όχημα κινείται. Προσέξτε για τον σκοπό αυτό τις διαστάσεις στο σχ. **1**, σελίδα 3 και στο σχ. **3**, σελίδα 4. Προσέξτε τις παρακάτω διαστάσεις εσοχής (σχ. **2**, σελίδα 4):

	RCD 10.ES, RCD 10.5ET	RCD 10.XES, RCD 10.5XET
Ύψος ψυγείου (A)	1283 mm	1283 mm
Πλάτος ψυγείου (B)	523 mm	523 mm
Βάθος ψυγείου (C) (Δεν συμπεριλ. το κου- μπί ρύθμισης 5 mm)	550 mm	605 mm
Ύψος εσοχής (H)	1290 mm	1290 mm
Πλάτος εσοχής (W)	528 mm	528 mm
Βάθος εσοχής (D)	568 mm	623 mm

- Το ψυγείο πρέπει να εγκαθίσταται με ελάχιστη απόσταση 5 mm από το δάπεδο, ώστε να διασφαλίζεται το σωστό άνοιγμα της πόρτας (σχ. **3**, σελίδα 4).
  - Βεβαιωθείτε ότι η ελεύθερη κίνηση της πόρτας δεν παρεμποδίζεται από τυχόν χαλιά.
  - Αποφύγετε την τοποθέτηση του ψυγείου απευθείας στο δάπεδο.

## 4.2 Εγκατάσταση του σωλήνα αποστράγγισης συμπυκνωμάτων

Νερό συμπυκνώματος μπορεί να σχηματιστεί στο εσωτερικό του ψυγείου λόγω πολύ συχνού ανοίγματος της πόρτας, λανθασμένης αποθήκευσης τροφίμων ή αποθήκευσης φαγητού στο ψυγείο, ενώ είναι ακόμη πολύ ζεστό. Το νερό συμπυκνώματος πρέπει να αποστραγγίζεται με συνεχή κλίση.

Τοποθετήστε τον σωλήνα αποστράγγισης συμπυκνωμάτων ως εξής:

- Οδηγήστε τον εύκαμπτο σωλήνα νερού συμπυκνώματος από το ψυγείο, μέσω ενός ανοίγματος στο δάπεδο, έξω από το όχημα.

## 4.3 Σύνδεση της τροφοδοσίας ηλεκτρικού ρεύματος



Η σύνδεση της τροφοδοσίας ηλεκτρικού ρεύματος πρέπει να πραγματοποιείται από έναν εξειδικευμένο ηλεκτρολόγο, ο οποίος διαθέτει αντίστοιχη κατάρτιση και επαρκείς γνώσεις σχετικά με την κατασκευή και τον χειρισμό ηλεκτρικού εξοπλισμού και ηλεκτρικών εγκαταστάσεων και έχει λάβει εκπαίδευση ασφαλείας για την αναγνώριση και την αποφυγή των σχετικών κινδύνων.



### ΠΡΟΣΟΧΗ! Κίνδυνος πρόκλησης ζημιάς

- Για να αποφευχθεί τυχόν απώλεια τάσης και συνεπώς πτώση της απόδοσης, το καλώδιο πρέπει να είναι κατά το δυνατόν κοννύτερο και δεν πρέπει να διακόπτεται. Για τον σκοπό αυτόν αποφύγετε τυχόν πρόσθετους διακόπτες, πρίζες ή πολύπριζα.
- Πριν από τη σύνδεση, ελέγξτε εάν συμφωνούν η τάση λειτουργίας και η τάση της μπαταρίας (βλέπε πινακίδα τύπου).
- Όταν συνδέετε την τροφοδοσία ηλεκτρικού ρεύματος 12 V<sub>DC</sub>, βεβαιωθείτε ότι η πολικότητα είναι σωστή.

1. Καθορίστε την απαιτούμενη διατομή του καλωδίου σε συνάρτηση με το μήκος του καλωδίου, σύμφωνα με το σχ. **4**, σελίδα 5.
2. Συνδέστε τα καλώδια στον σύνδεσμο AMP του ψυγείου (σχ. **5**, σελίδα 5).
3. Συνδέστε τα άλλα άκρα των καλωδίων στην τροφοδοσία ηλεκτρικού ρεύματος 12 V<sub>DC</sub>:
  - rd (κόκκινο): με μια ασφάλεια προστασίας (10 A) τοποθετημένη στον θετικό (+) πόλο
  - bk (μαύρο): στον αρνητικό (-) πόλο

## 4.4 Στερέωση του ψυγείου



### ΠΡΟΣΟΧΗ! Κίνδυνος πρόκλησης ζημιάς

Το βίδωμα πρέπει να πραγματοποιείται μόνο μέσω των προβλεπόμενων υποδοχών, καθώς σε διαφορετική περίπτωση μπορεί να υποστούν ζημιές τα εξαρτήματα που είναι ενσωματωμένα στο αφρώδες υλικό, όπως π.χ. τα καλώδια.



### ΥΠΟΔΕΙΞΗ

- Στερεώστε τα πλευρικά τοιχώματα ή τις τοποθετημένες λωρίδες κατά τέτοιο τρόπο, ώστε οι βίδες να συγκρατούν σταθερά τη συσκευή, ακόμη και σε περίπτωση αυξημένου φορτίου (κατά την κίνηση του οχήματος).
- Το ψυγείο έχει σχεδιαστεί για την παροχή μιας ρυθμιζόμενης ροής αέρα. Δεν συνιστάται να αφήνετε πρόσθετο διάκενο ανάμεσα στο ψυγείο και στα τοιχώματα της εσοχής.

1. Μετακινήστε το ψυγείο στην τελική του θέση, φροντίζοντας η μπροστινή φλάντζα να εφαρμόζει σφιχτά στο μπροστινό μέρος της εσοχής.



2. Βιδώστε τις βίδες (σχ. **6**, σελίδα 6) μέσα από τις πλαστικές υποδοχές στα πλευρικά τοιχώματα του ψυγείου και στη συνέχεια στο τοίχωμα της εσοχής τοποθέτησης.
3. Τοποθετήστε τα καπάκια επάνω στις κεφαλές των βιδών.

## 5 Απόρριψη



### ΠΡΟΣΟΧΗ!

Η μόνωση της συσκευής ψύξης περιέχει εύφλεκτο κυκλοπεντάνιο και απαιτεί ειδικές διαδικασίες απόρριψης. Παραδώστε τη συσκευή ψύξης στο τέλος του κύκλου ζωής της σε ένα κατάλληλο κέντρο ανακύκλωσης.



- ▶ Εάν είναι εφικτό, απορρίψτε τα υλικά συσκευασίας στους αντίστοιχους κάδους ανακύκλωσης.
- ▶ Συμβουλευθείτε ένα τοπικό κέντρο ανακύκλωσης ή έναν εξειδικευμένο αντιπρόσωπο για λεπτομέρειες σχετικά με τον τρόπο απόρριψης του προϊόντος σύμφωνα με τους ισχύοντες κανονισμούς διάθεσης απορριμμάτων.

### Ανακύκλωση προϊόντων με μπαταρίες, επαναφορτιζόμενες μπαταρίες και φωτεινές πηγές




- ▶ Αφαιρέστε τυχόν μπαταρίες, επαναφορτιζόμενες μπαταρίες και φωτεινές πηγές πριν από την ανακύκλωση του προϊόντος.
- ▶ Οι ελαττωματικές ή χρησιμοποιημένες μπαταρίες πρέπει να επιστρέφονται στο κατάστημα αγοράς ή να παραδίδονται στα κατάλληλα σημεία συλλογής.
- ▶ Μην απορρίπτετε τυχόν μπαταρίες, επαναφορτιζόμενες μπαταρίες και φωτεινές πηγές με τα γενικά οικιακά απορρίμματα.
- ▶ Εάν επιθυμείτε την τελική απόρριψη του προϊόντος, ζητήστε από το τοπικό κέντρο ανακύκλωσης ή έναν εξειδικευμένο αντιπρόσωπο λεπτομερείς πληροφορίες για τη σχετική διαδικασία σύμφωνα με τους ισχύοντες κανονισμούς διάθεσης απορριμμάτων.
- ▶ Το προϊόν μπορεί να απορριφθεί δωρεάν.

## 6 Τεχνικά χαρακτηριστικά

Για την τρέχουσα δήλωση συμμόρφωσης ΕΕ για τη συσκευή σας, παρακαλούμε να ανατρέξετε στην αντίστοιχη σελίδα προϊόντος στον ιστότοπο [dometic.com](http://dometic.com) ή να επικοινωνήσετε απευθείας με τον κατασκευαστή (βλέπε [dometic.com/dealer](http://dometic.com/dealer)).

Αυτή η συσκευή συμμορφώνεται με τον κανονισμό UN ECE R10.

	<b>RCD10.5ES, RCD10.5ET</b>	<b>RCD10.5XES, RCD10.5XET</b>
Χωρητικότητα		
Ολική χωρητικότητα	176 l	200 l
Χώρος συντήρησης	140 l	159 l
Χώρος κατάψυξης	35,7 l	40,6 l
Ηλεκτρική τάση σύνδεσης	12 V <sup>---</sup>	12 V <sup>---</sup>
Μέση ισχύς εισόδου	75 W	75 W
Κατανάλωση ενέργειας	0,698 kWh/24 h	0,754 kWh/24 h
Λειτουργία απόδοσης (PERFORMANCE)	58,1 Ah/24 h	62,6 Ah/24 h
Κλιματική κατηγορία	N, ST	N, ST
Ψυκτικό μέσο	R600a	R600a
Διαθέσιμη ποσότητα ψυκτικού μέσου	34 g	34 g
Ισοδύναμο CO <sub>2</sub>	0,000102 t	0,000102 t
Δυναμικό υπερθέρμανσης του πλανήτη (GWP)	3	3
Εκπομπή θορύβου	39 dB(A)	39 dB(A)
Διαστάσεις Υ x Π x Β (σε mm)	1283 x 523 x 550	1283 x 523 x 605
Βάρος	38 kg	39,5 kg
Έλεγχος / πιστοποίηση		





[dometic.com](https://dometic.com)

---

## **YOUR LOCAL DEALER**

[dometic.com/dealer](https://dometic.com/dealer)

## **YOUR LOCAL SUPPORT**

[dometic.com/contact](https://dometic.com/contact)

## **YOUR LOCAL SALES OFFICE**

[dometic.com/sales-offices](https://dometic.com/sales-offices)

---